

FIG. 1

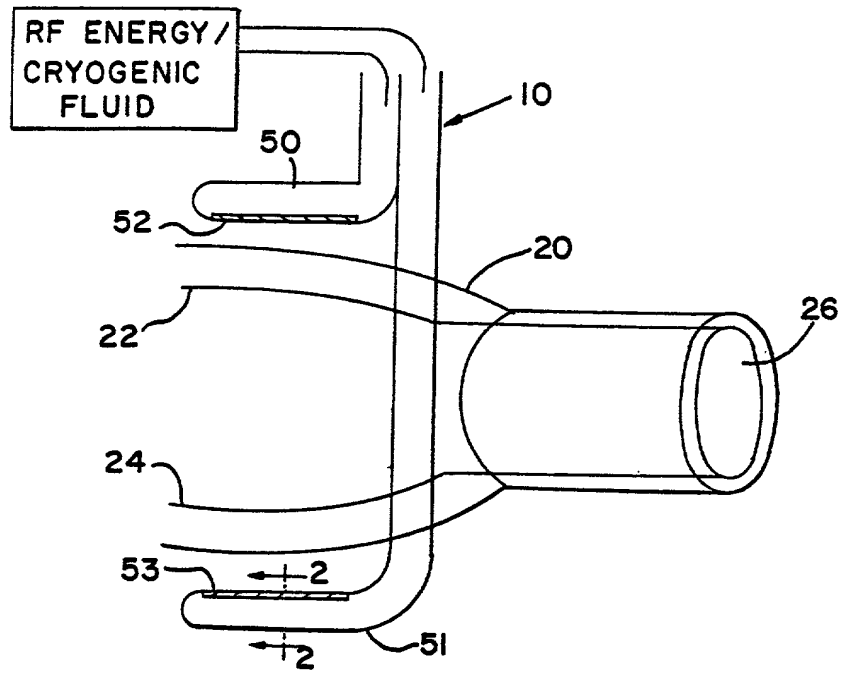


FIG. 2

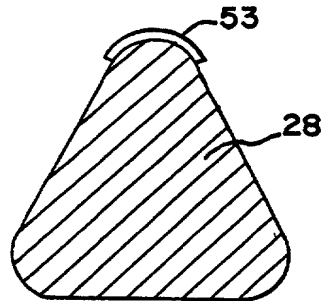


FIG. 3

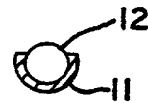


FIG. 4

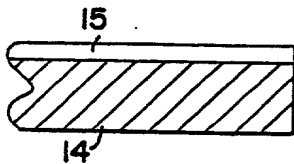


FIG. 5

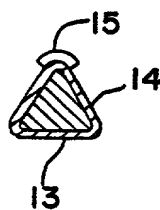


FIG. 6

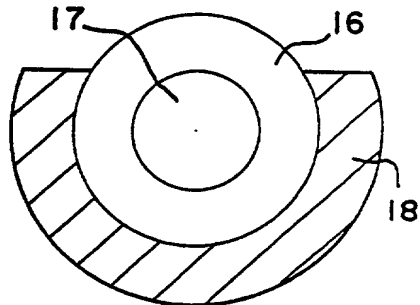


FIG. 7

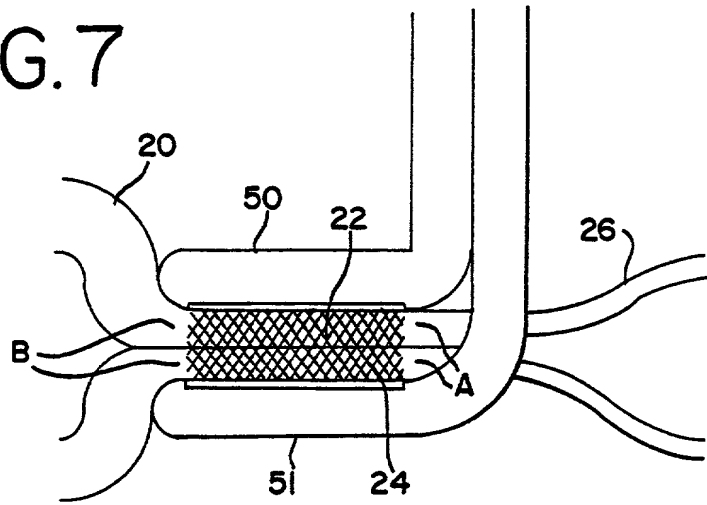


FIG. 8

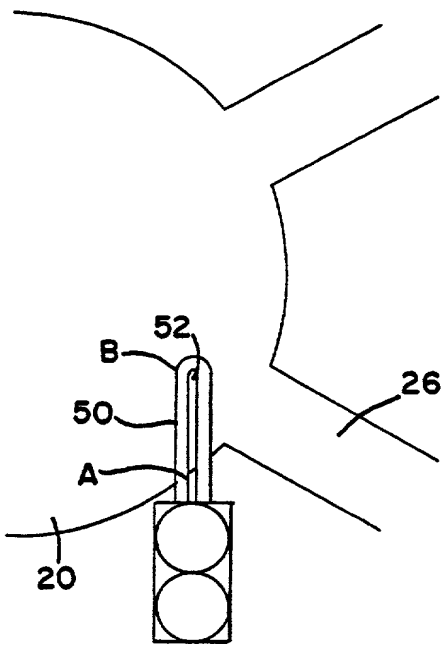


FIG. 9

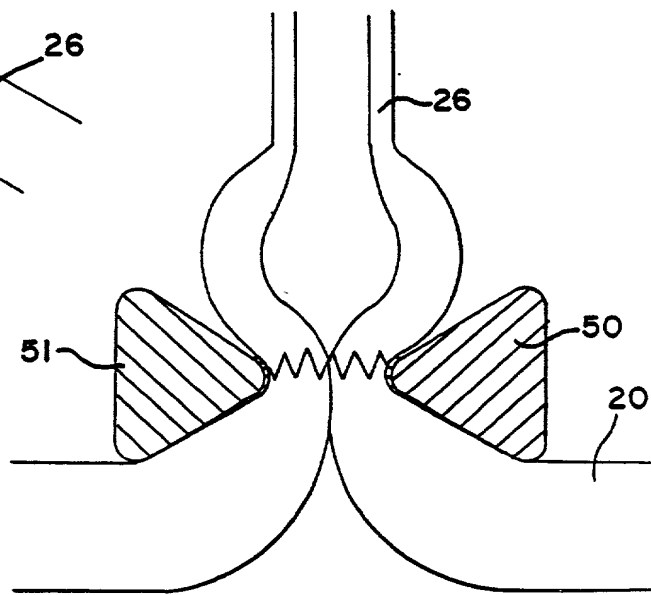


FIG.10

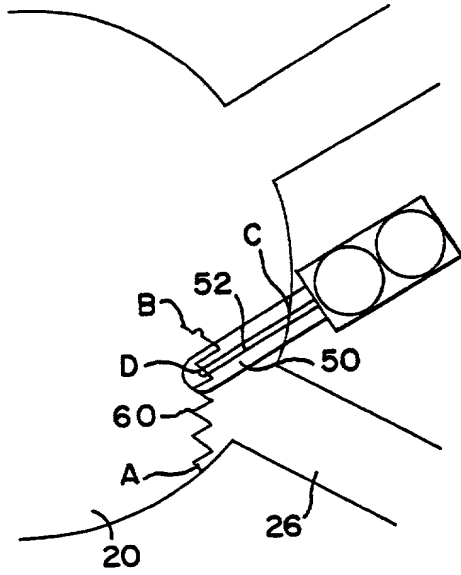


FIG.11

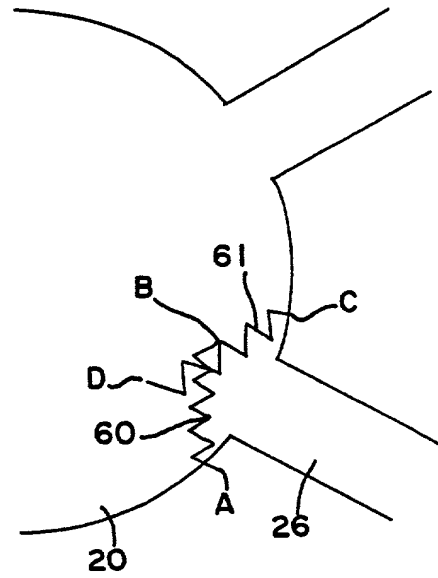


FIG.12

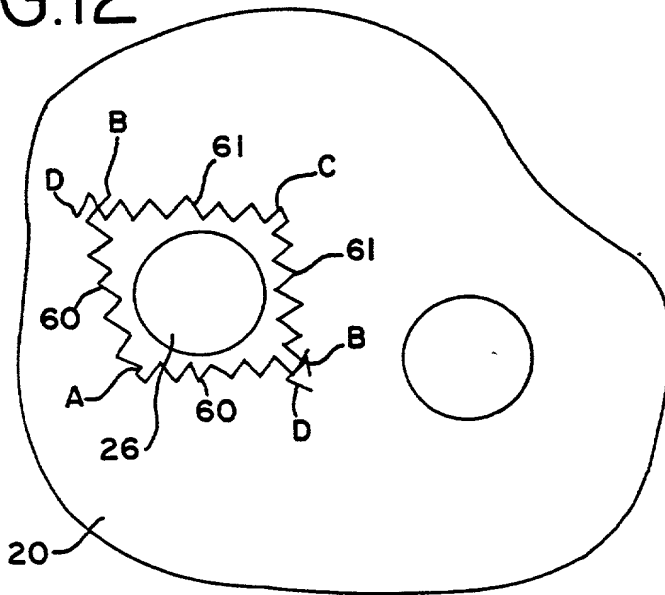


FIG. 13

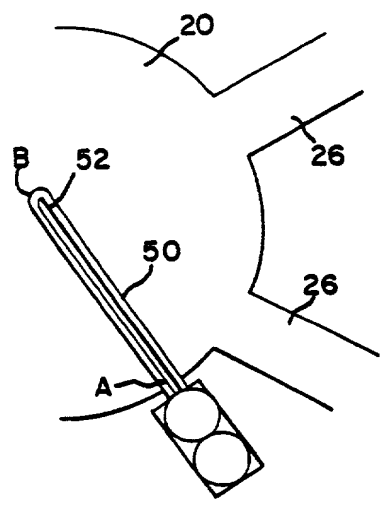


FIG. 14

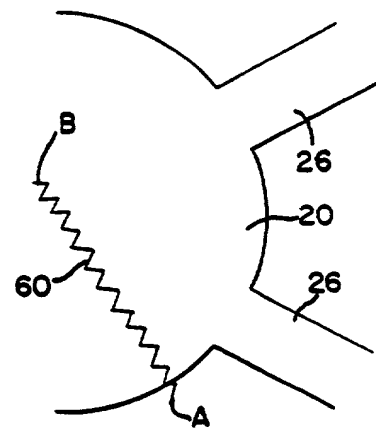


FIG. 15

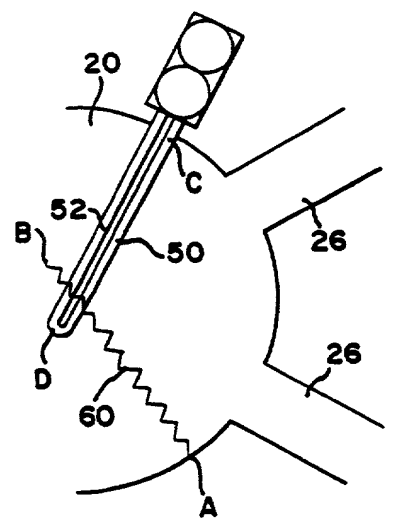


FIG. 16

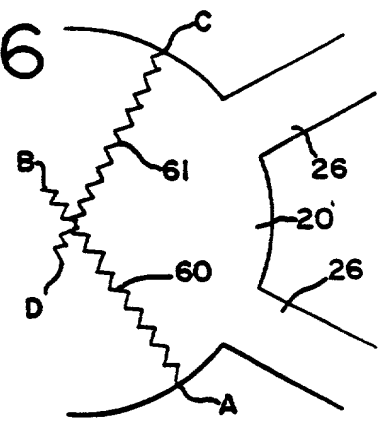


FIG. 17

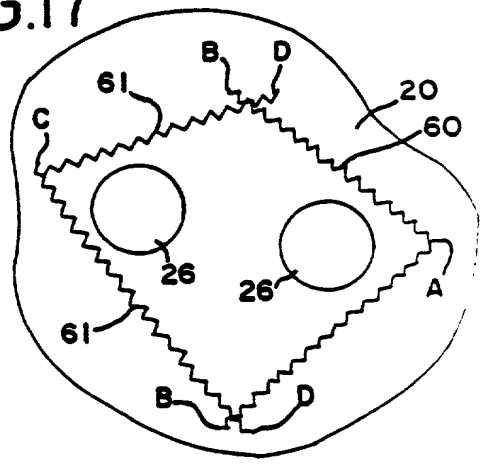


FIG. 19

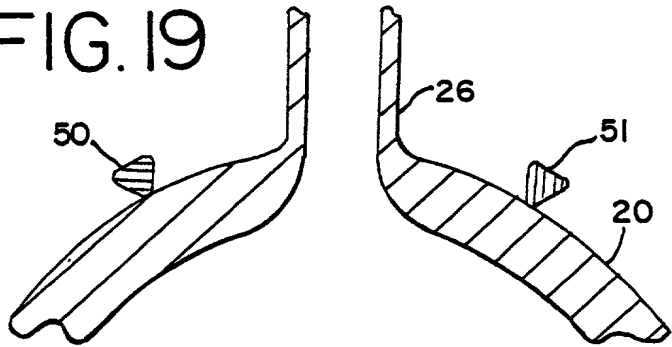


FIG. 18

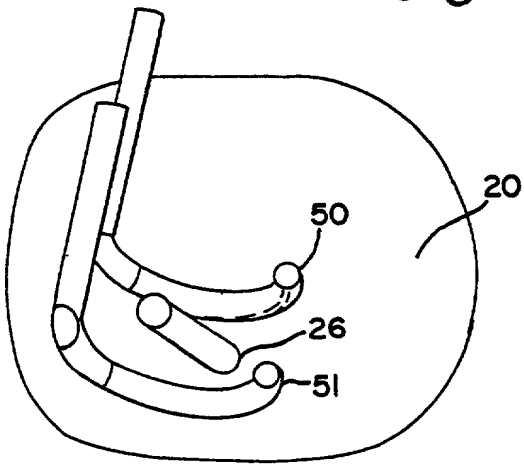


FIG. 21

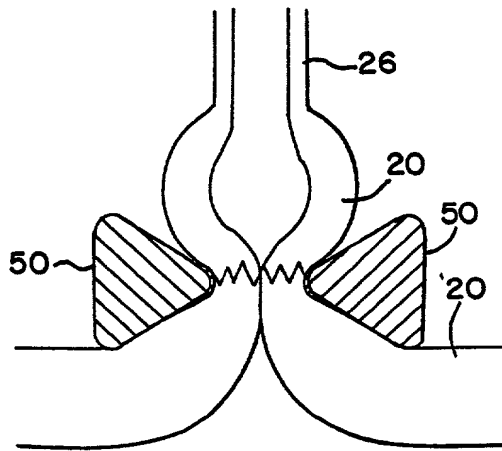


FIG. 20

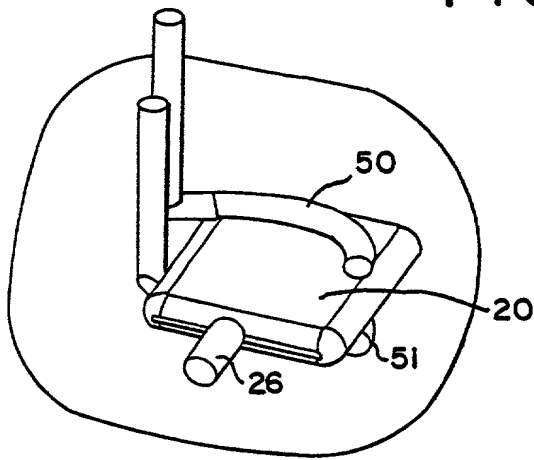
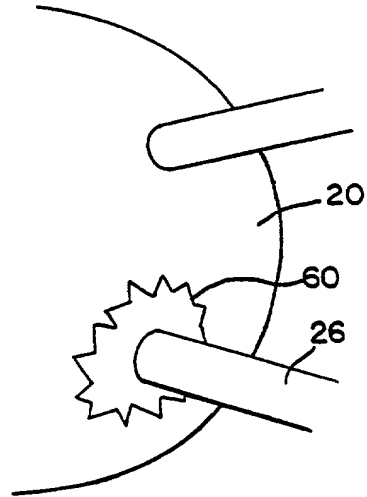


FIG. 22



2025 RELEASE

FIG.24

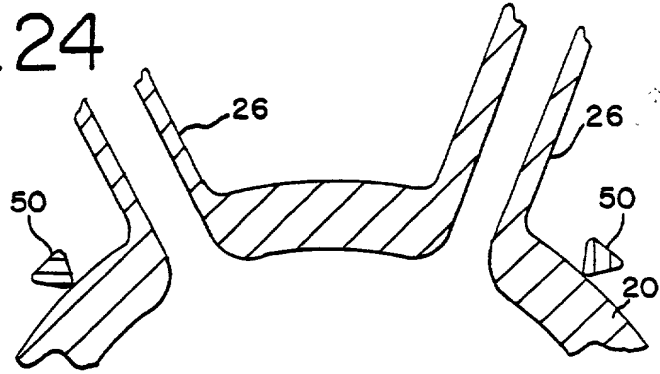


FIG.23

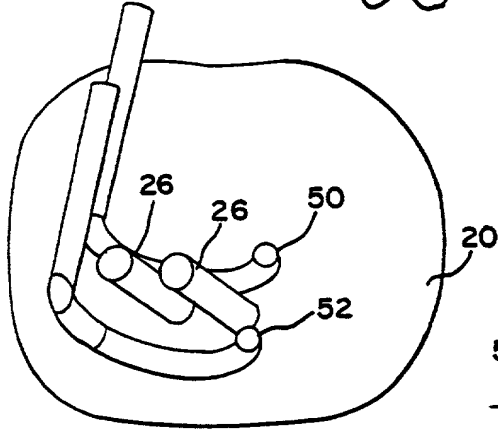


FIG.26

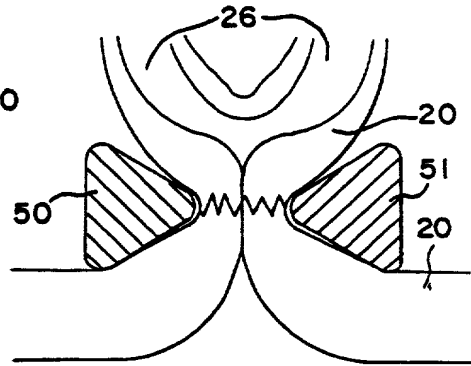


FIG.25

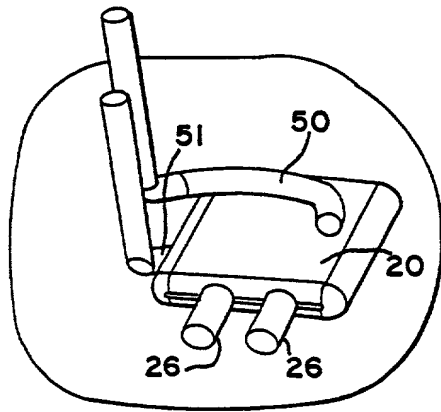


FIG.27

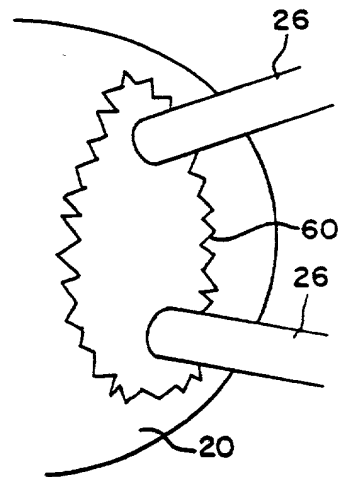


FIG. 28

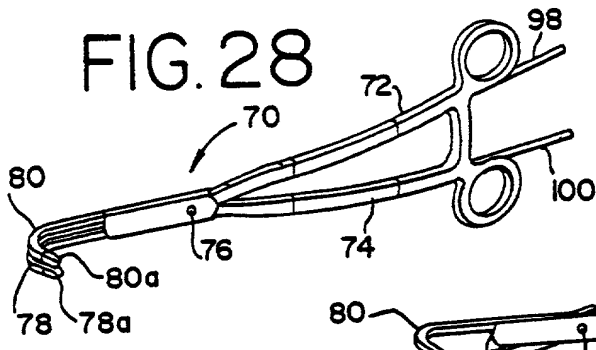


FIG. 29

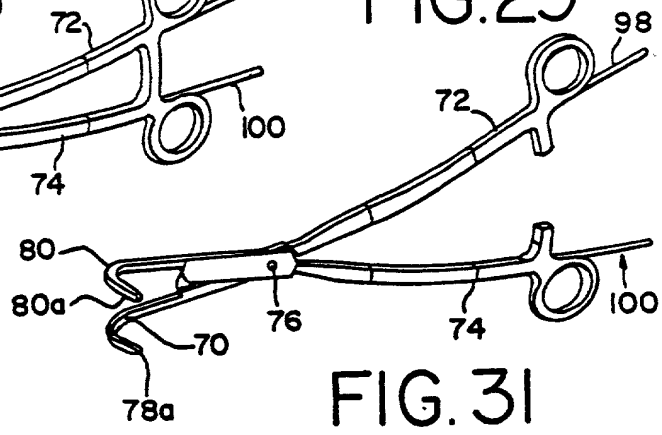


FIG. 30

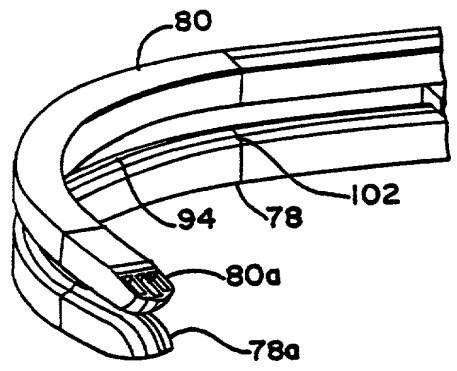


FIG. 31

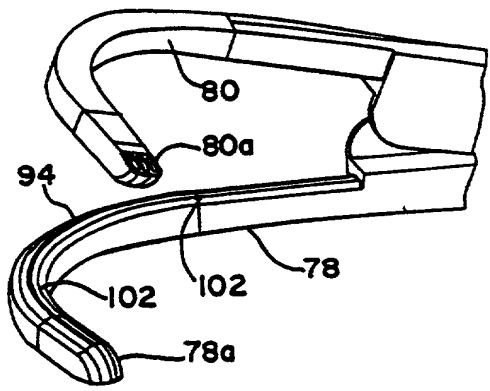


FIG. 32

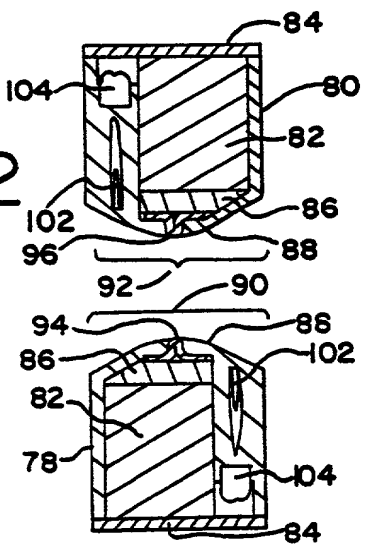


FIG. 28

FIG. 33

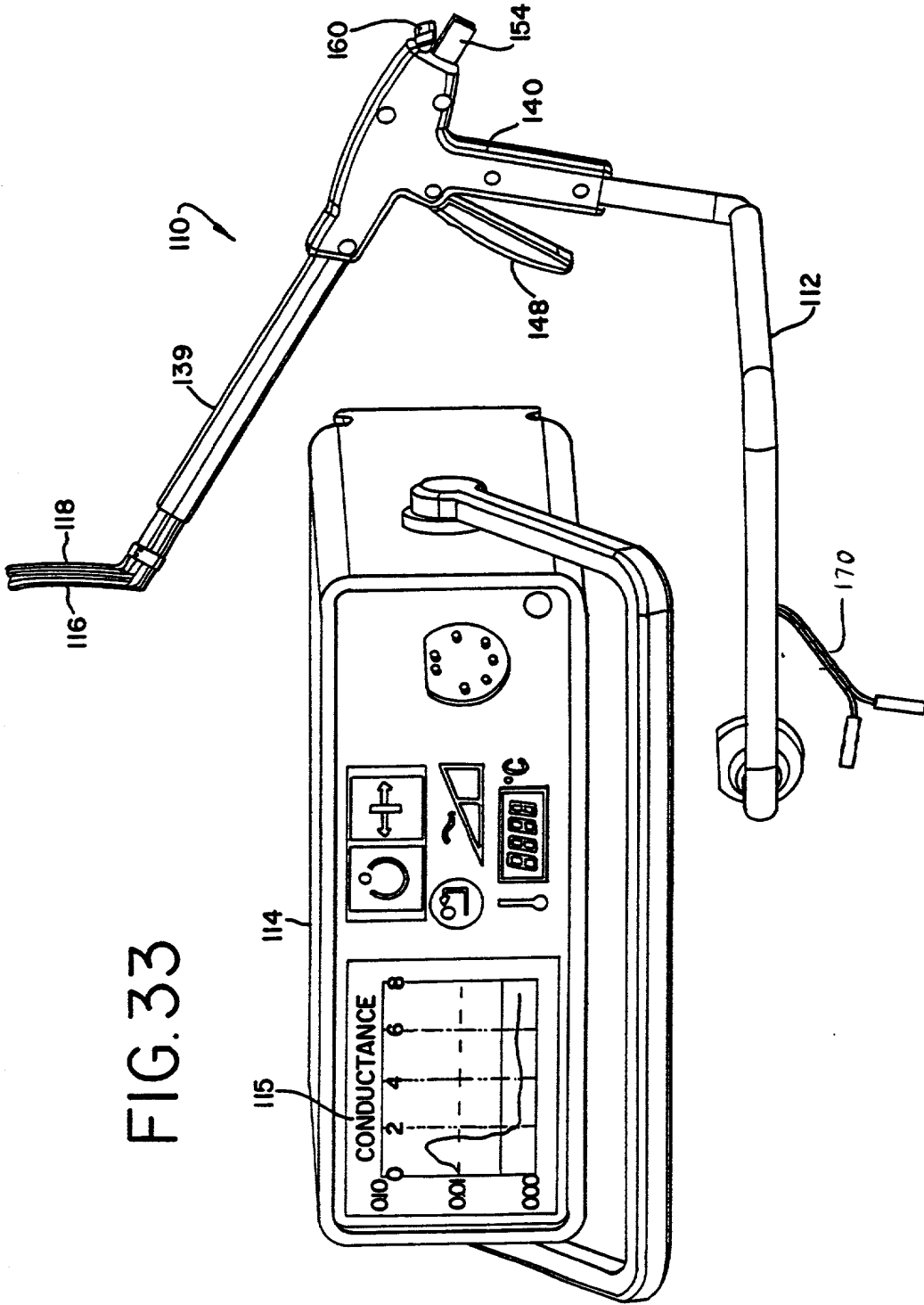
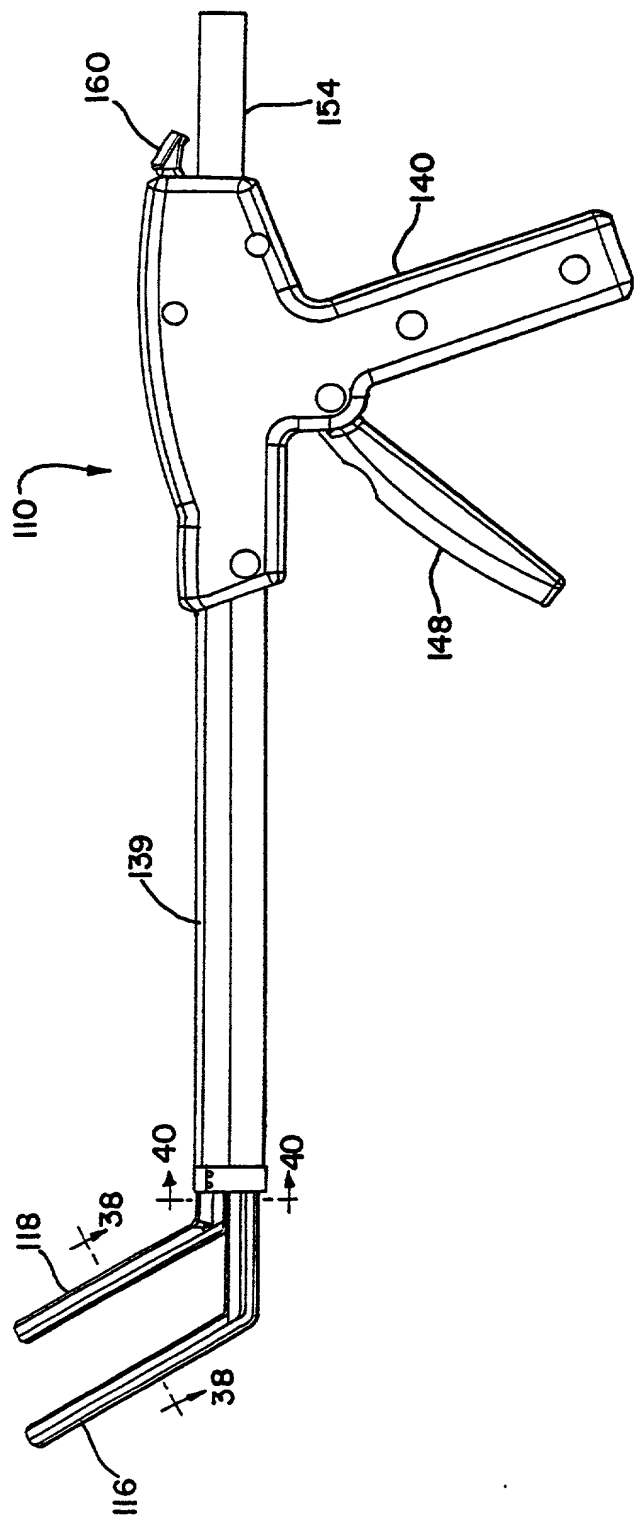


FIG. 34



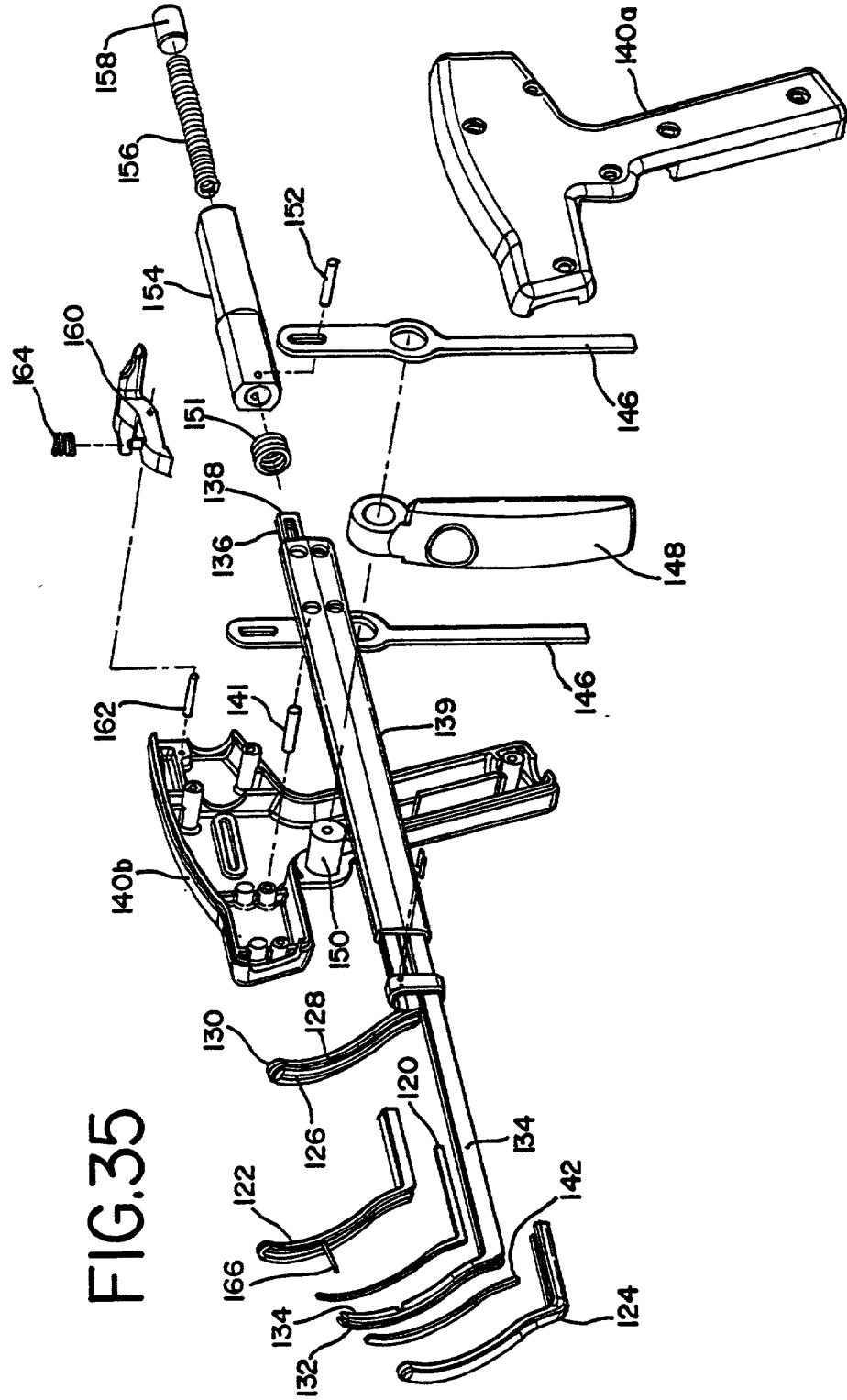


FIG. 35

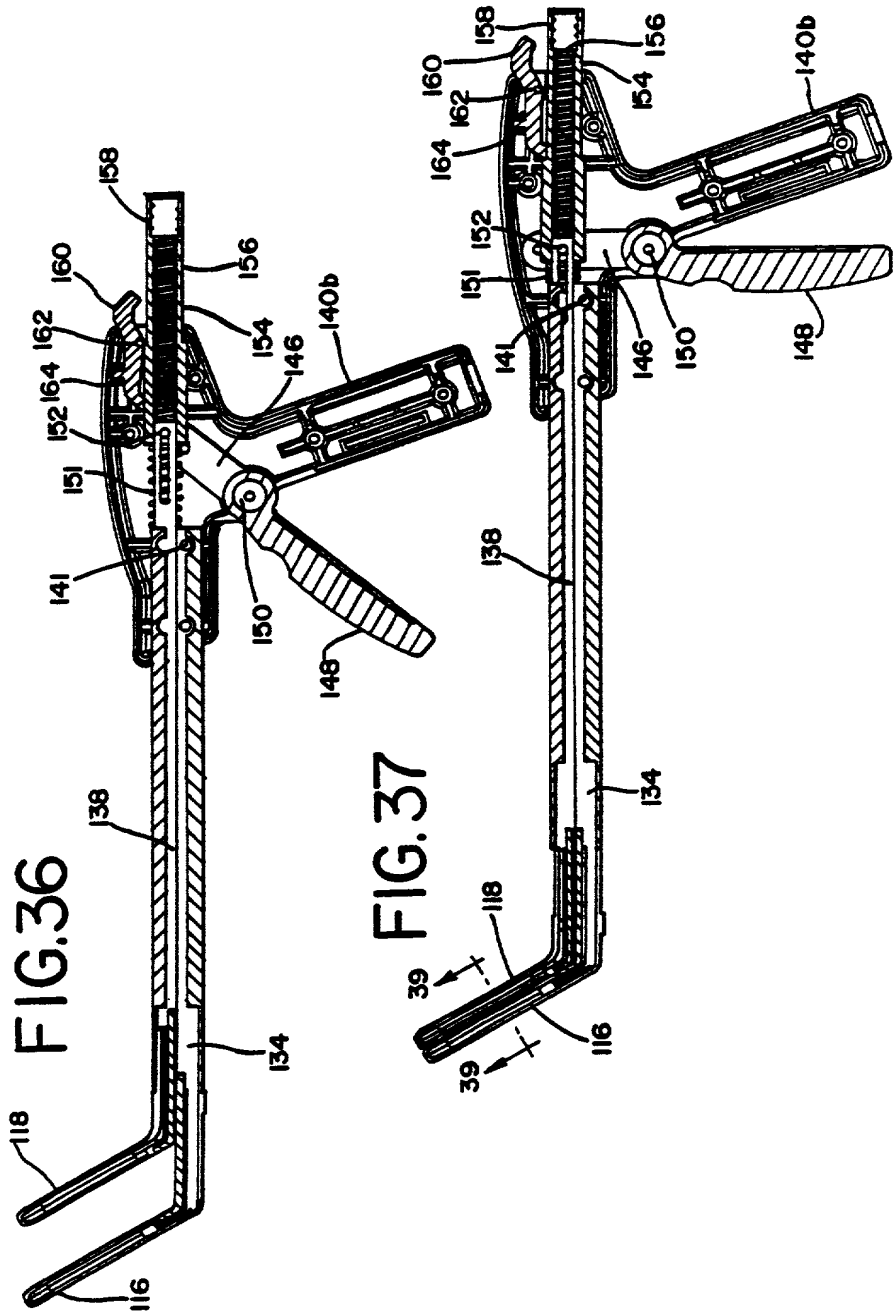


FIG.38

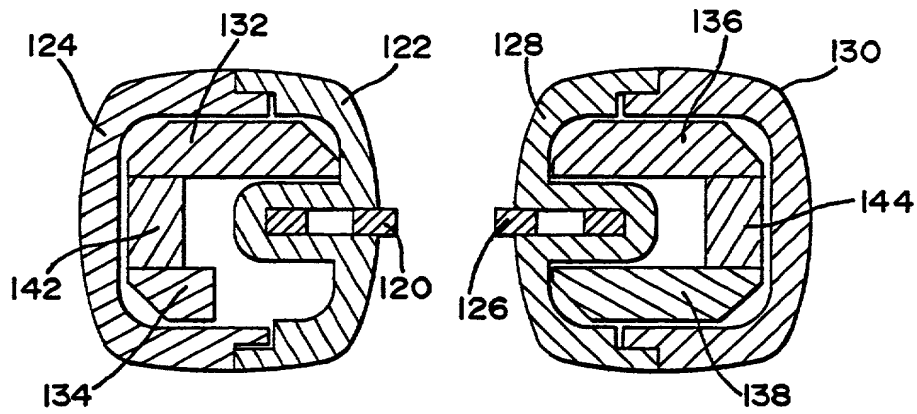


FIG.39

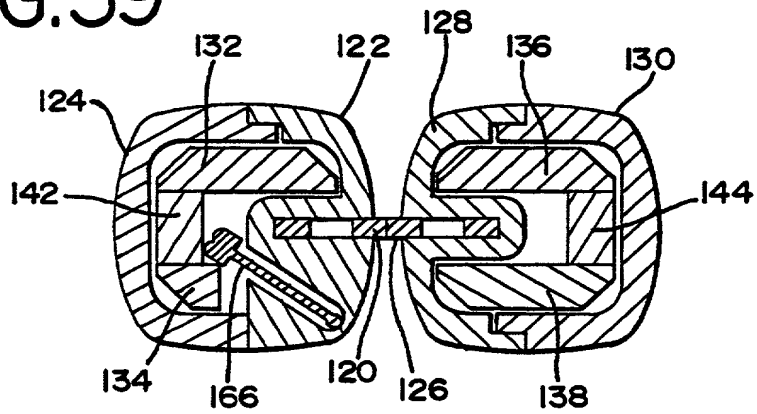


FIG.40

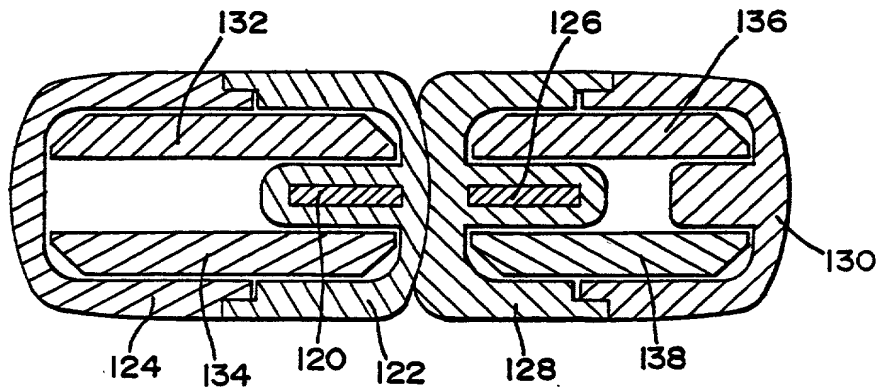


FIG.41

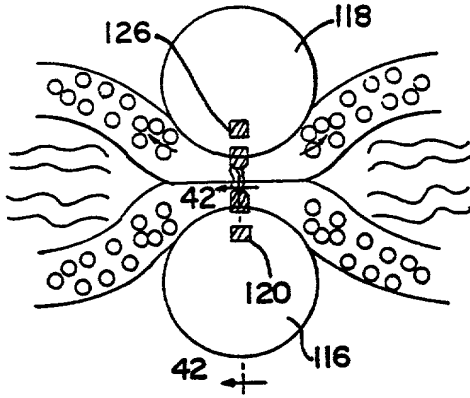


FIG.42

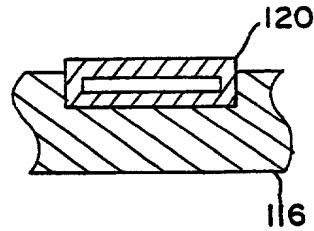


FIG.43

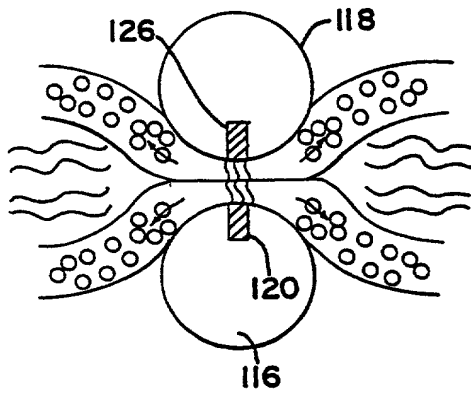


FIG.44

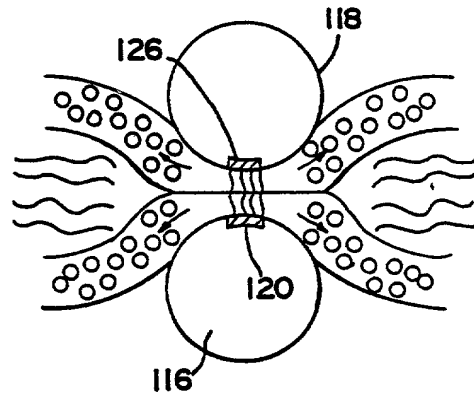


FIG.45

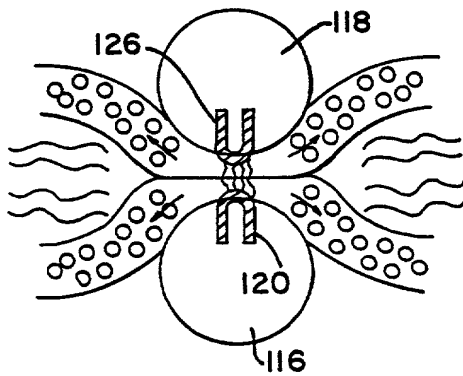


FIG.46

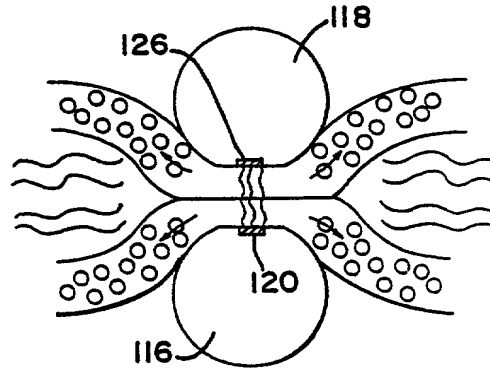


FIG.47

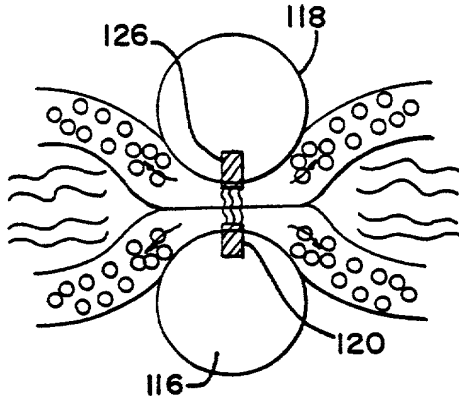


FIG.48

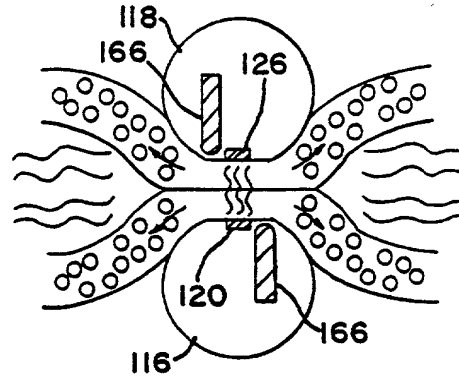


FIG.49

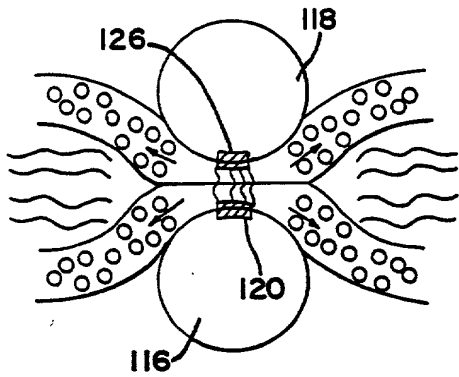


FIG.50

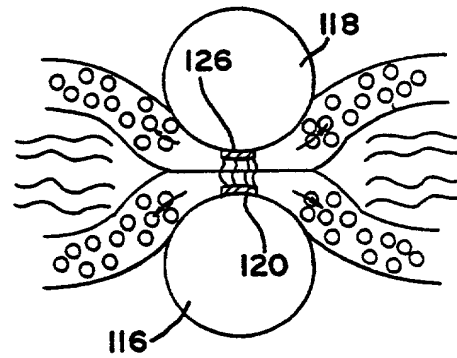


FIG.51

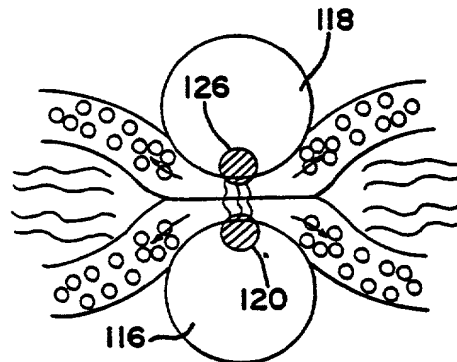


FIG.52A

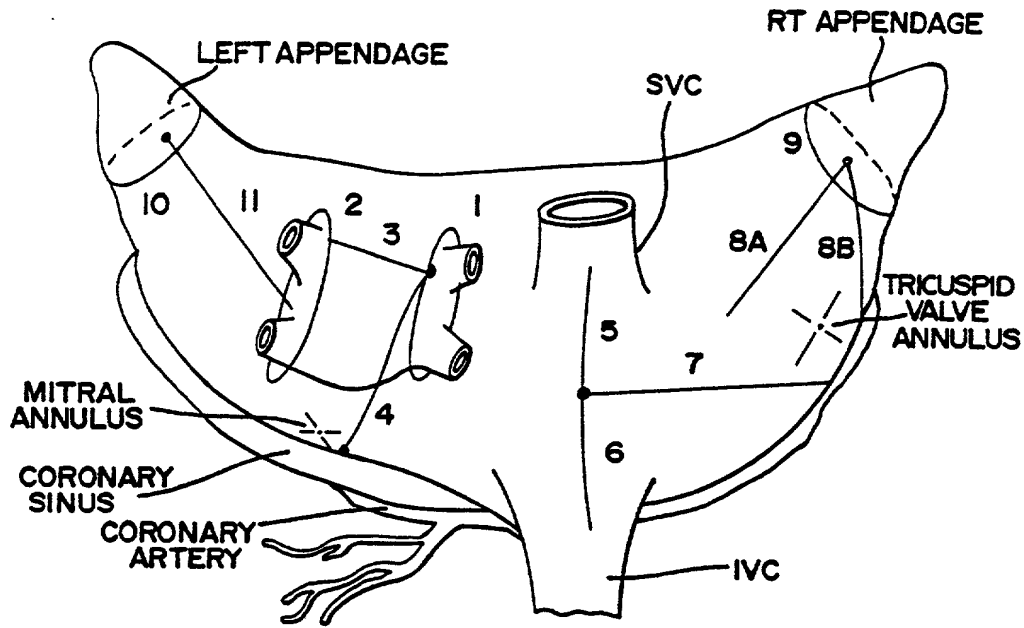


FIG.52B

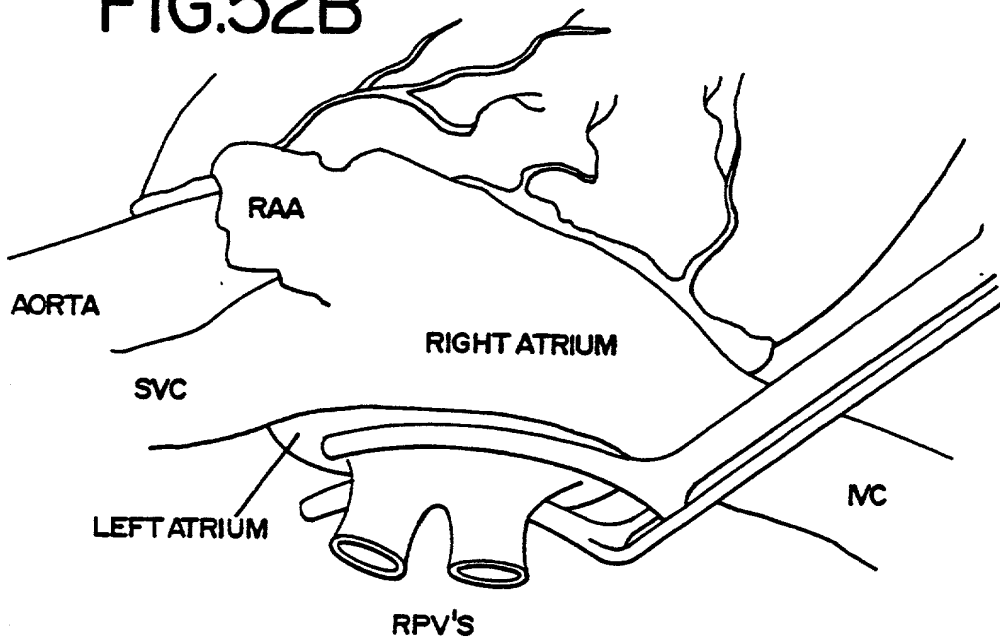


FIG.52C

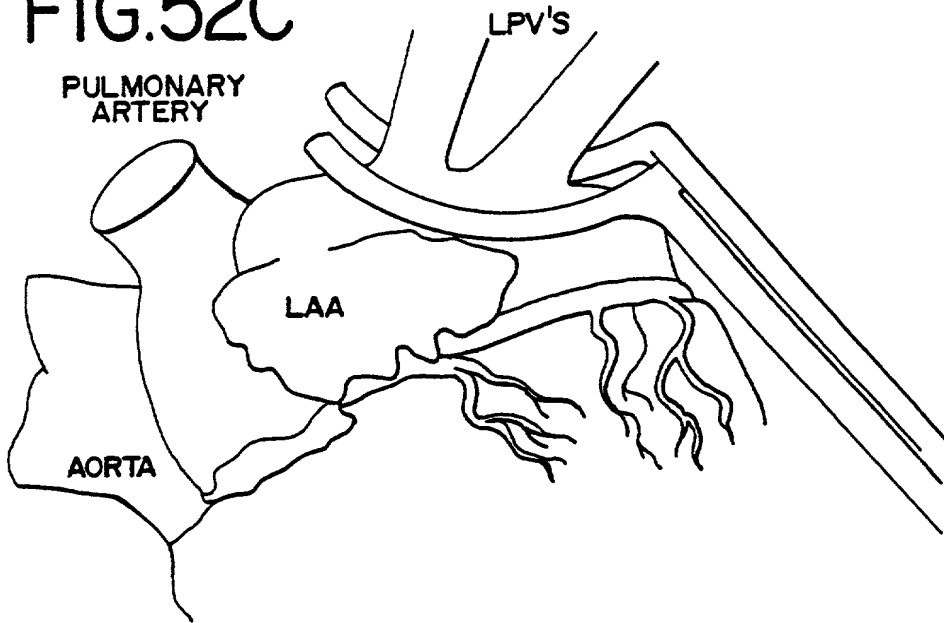


FIG.52D HEART LIFTED

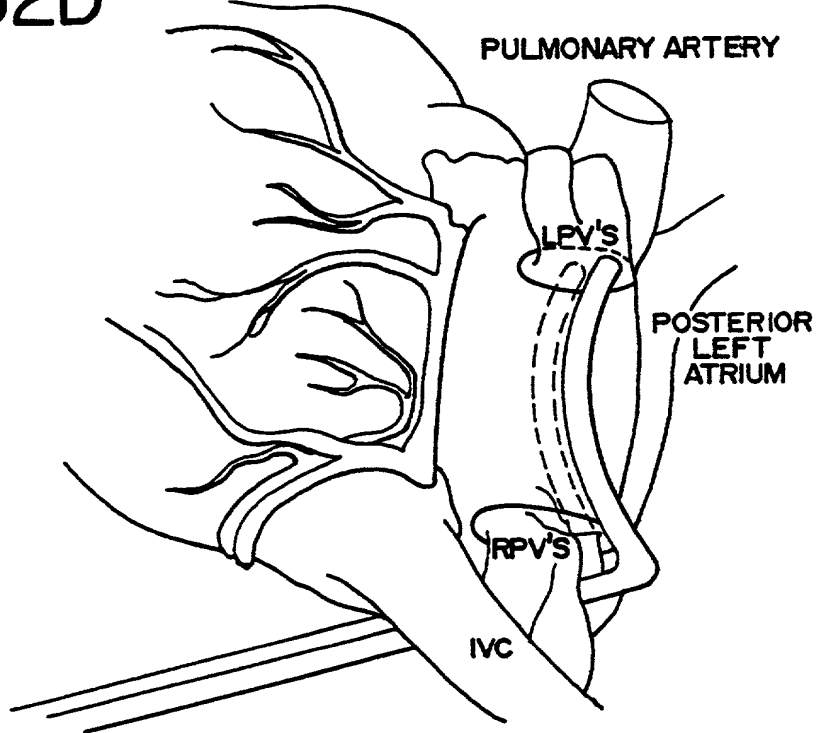


FIG.52E

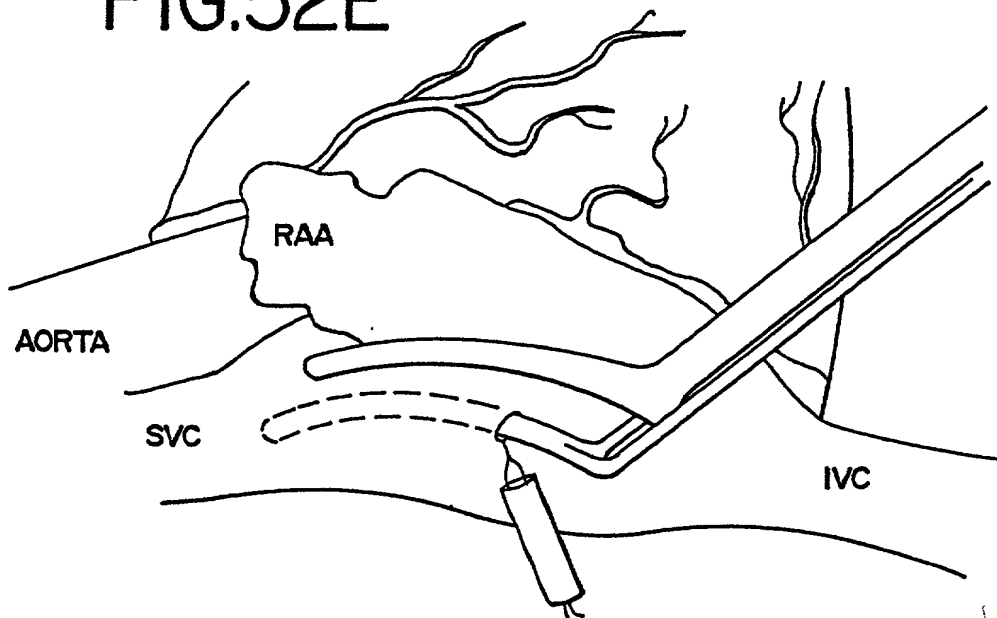
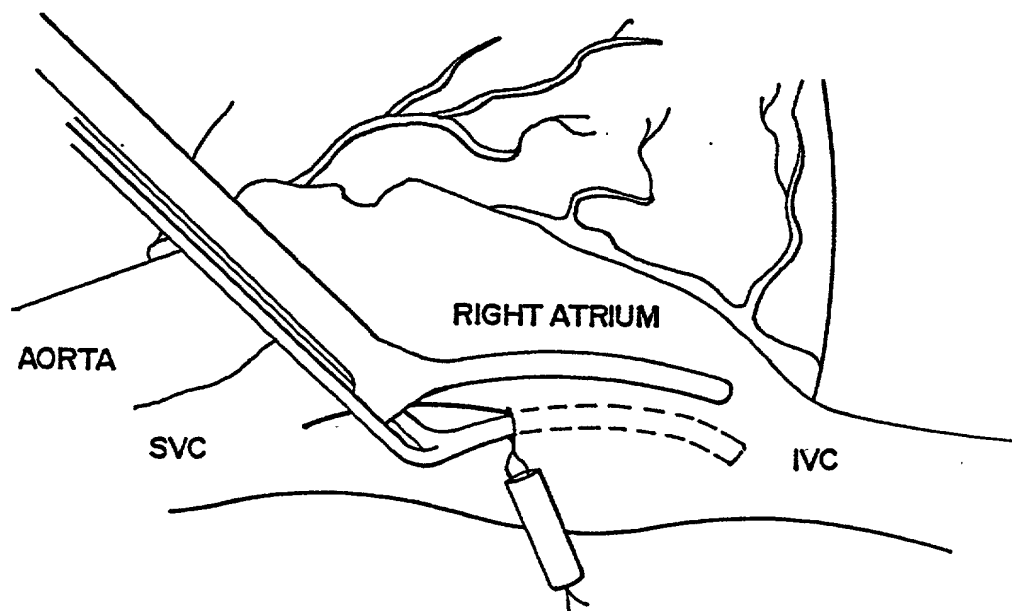


FIG.52F



4244244

FIG.52G

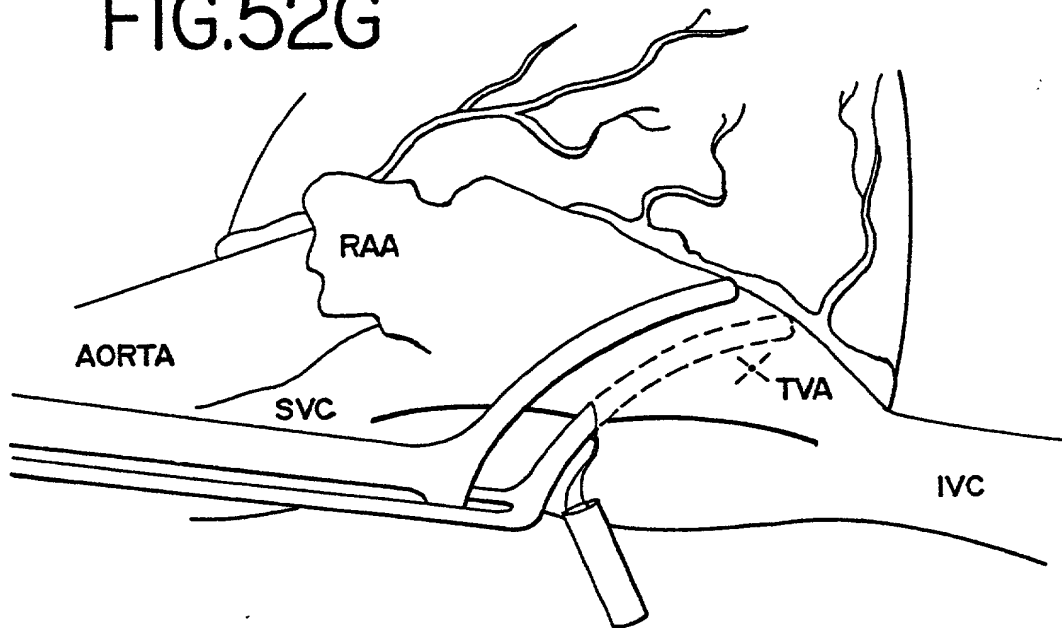


FIG.52H

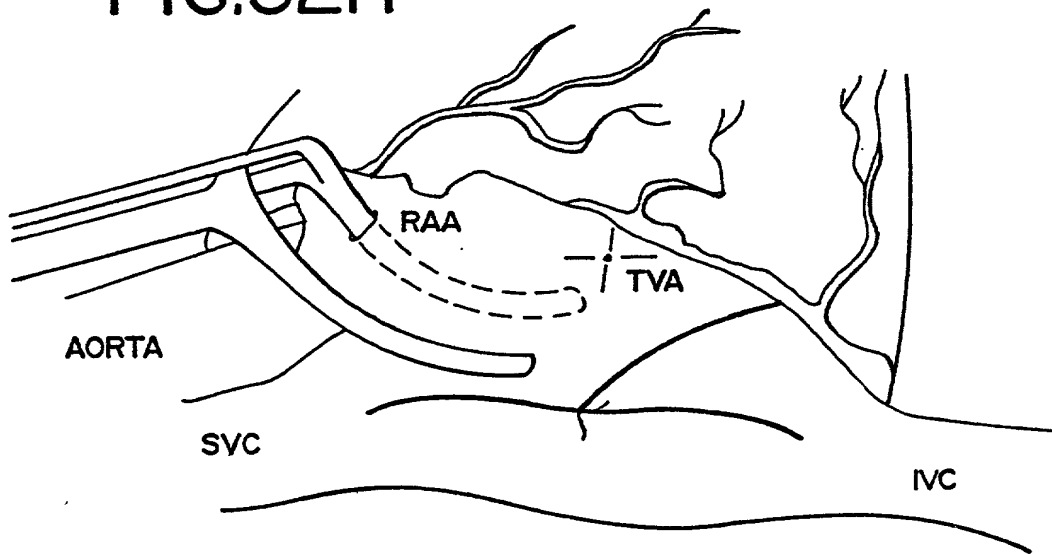


FIG.52I

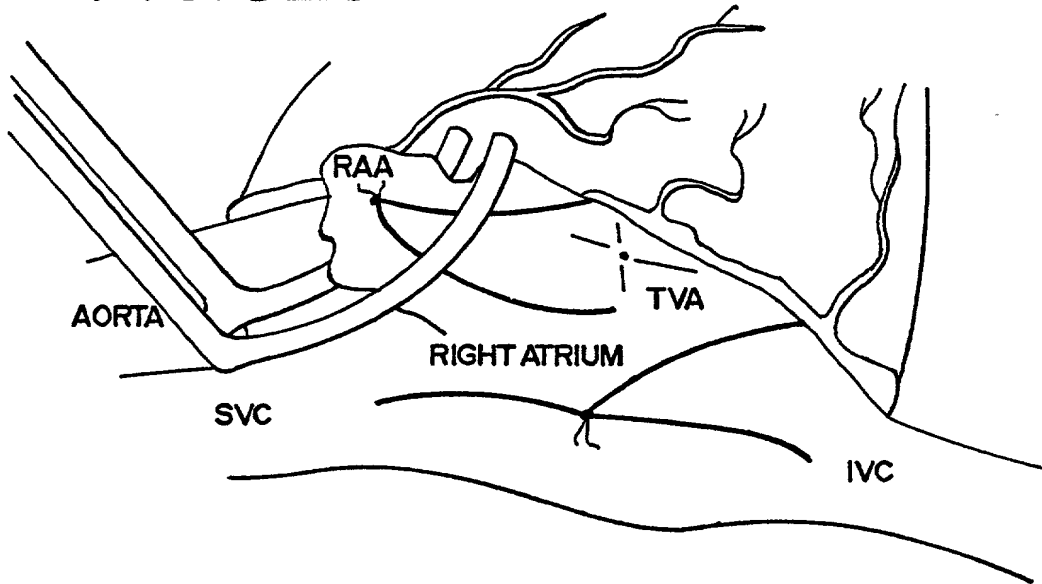


FIG.52J

PULMONARY ARTERY

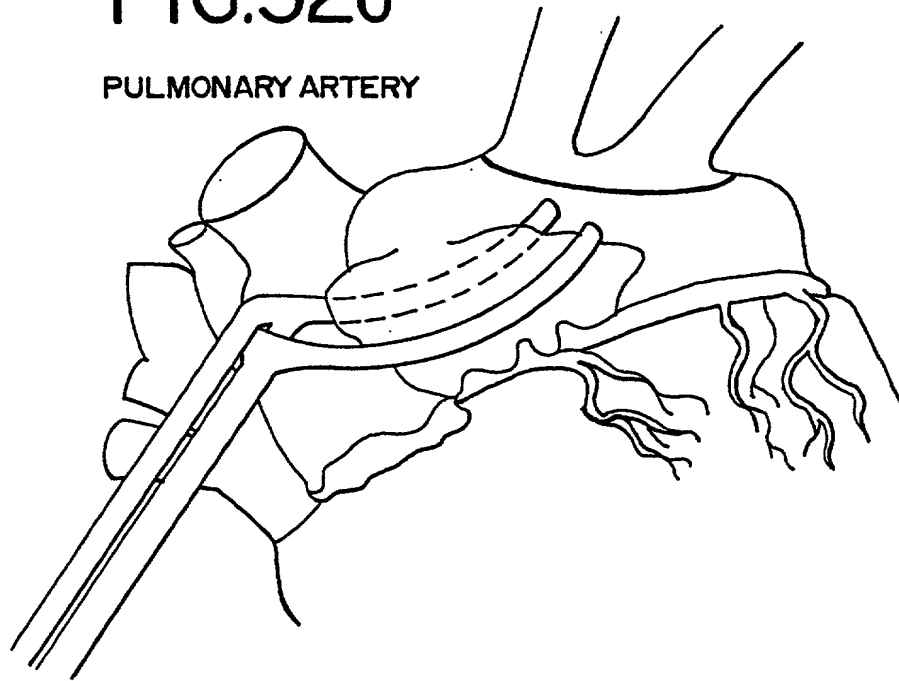


FIG.52K

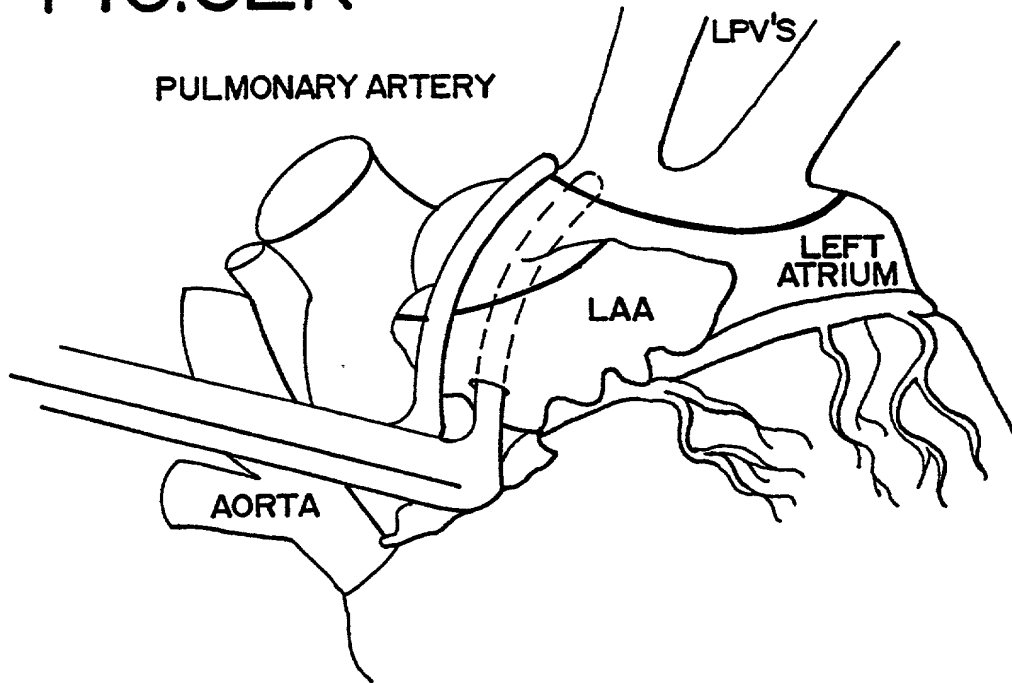


FIG. 52K is a schematic diagram of the heart and major vessels. The diagram shows the heart with the left atrium and left atrial appendage (LAA) labeled. The pulmonary artery is shown originating from the heart. The aorta is shown extending downwards and to the left. The left pulmonary veins (LPV'S) are shown entering the left atrium from the top right. The diagram uses solid lines for the vessels and a dashed line to indicate a specific anatomical feature or boundary within the heart's structure.

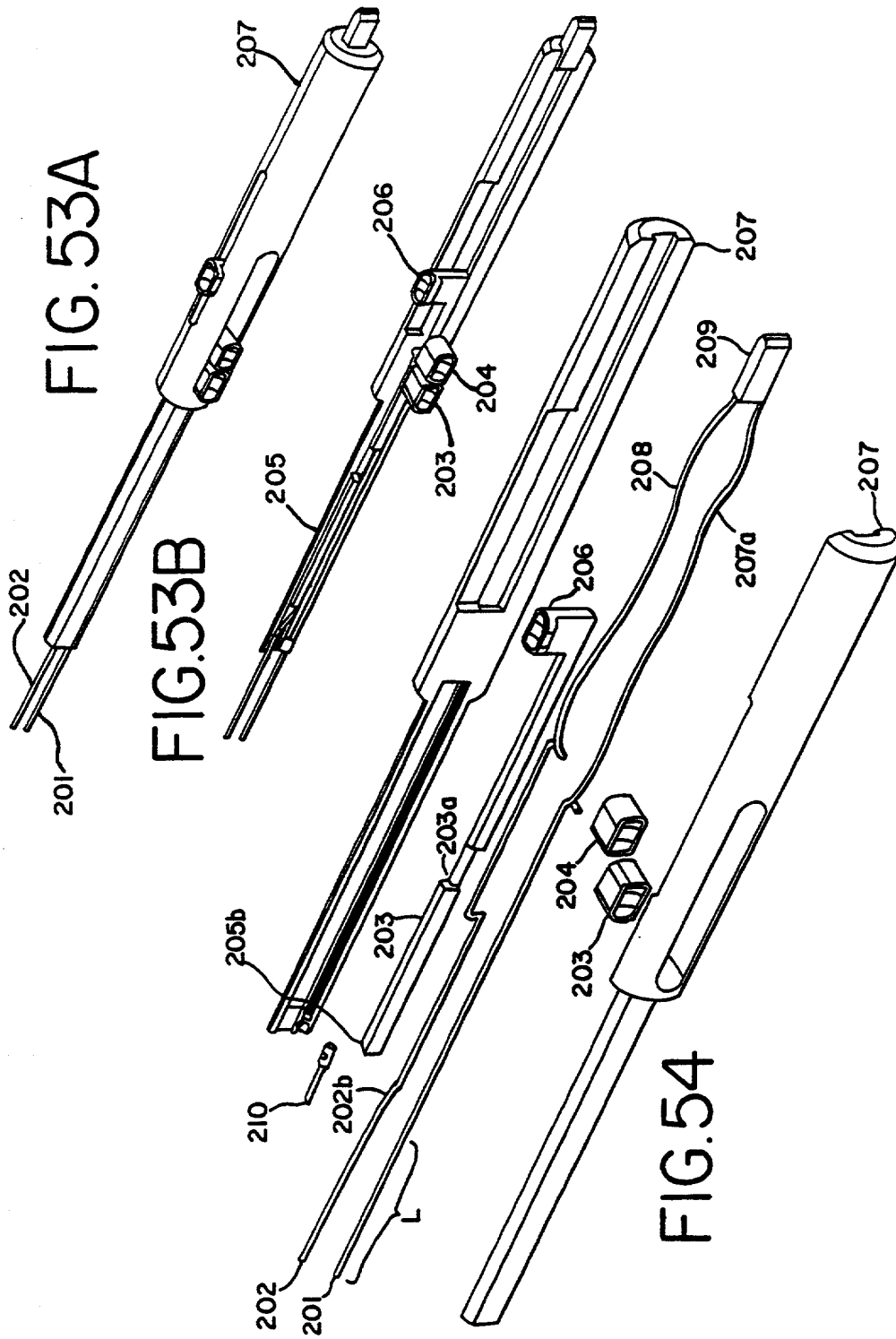


FIG. 55

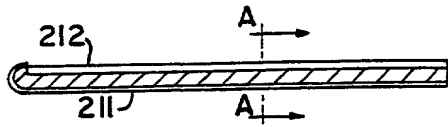


FIG. 56

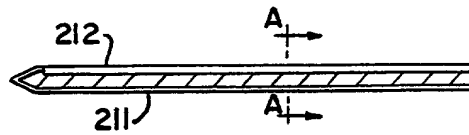


FIG. 57

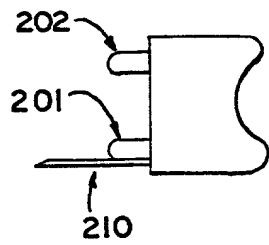


FIG. 58A

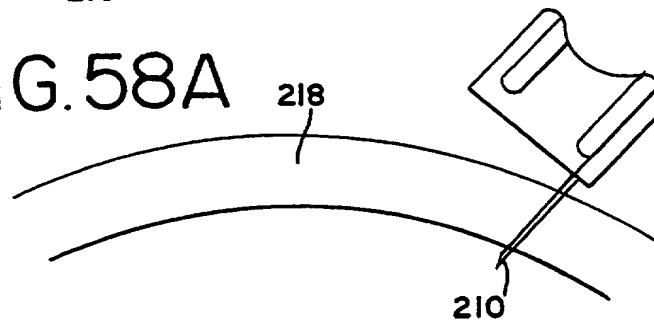
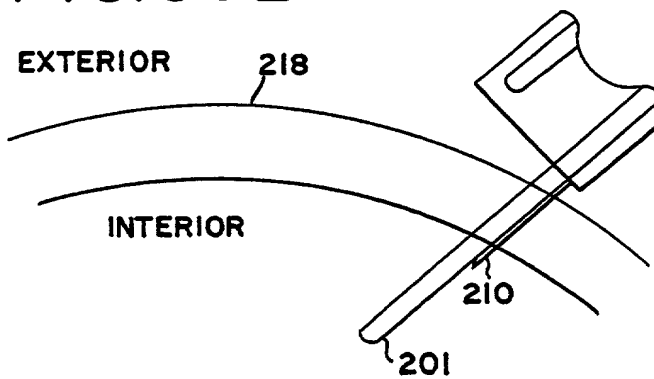


FIG. 58B



634949 344333

FIG. 58C

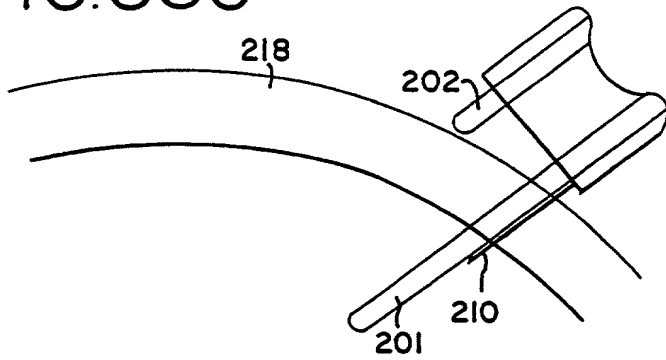


FIG. 58D

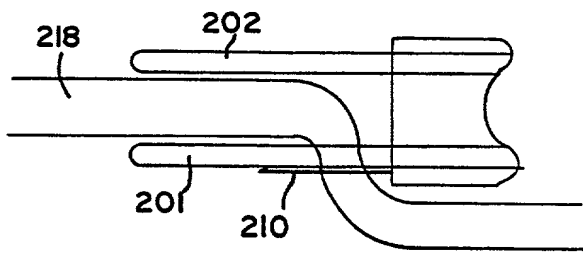


FIG. 58E

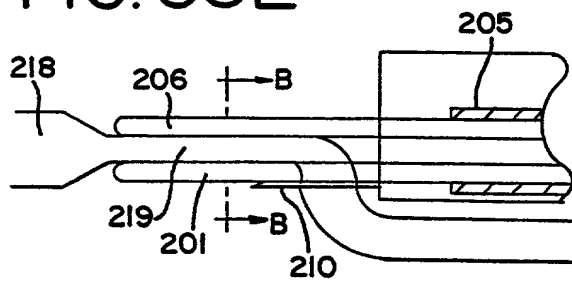


FIG. 58F

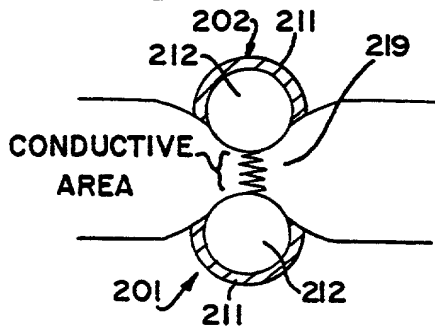


FIG. 58G

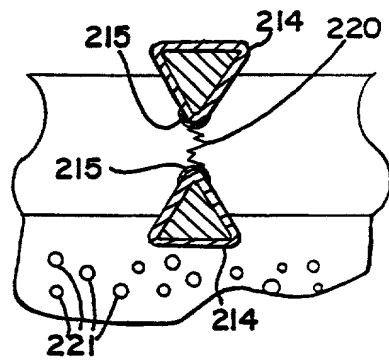


FIG. 59

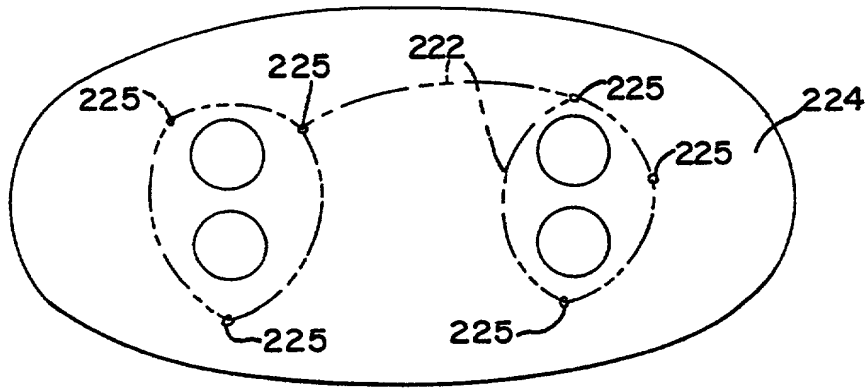


FIG. 60A

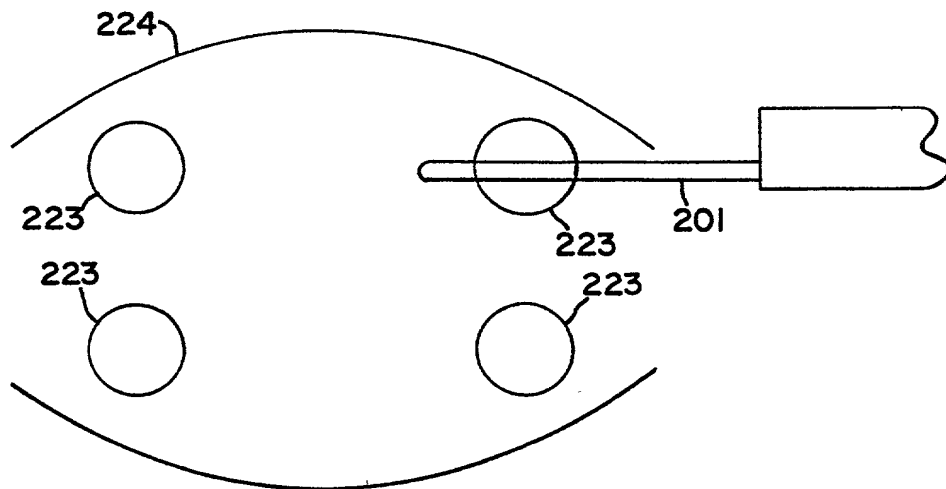


FIG. 60B

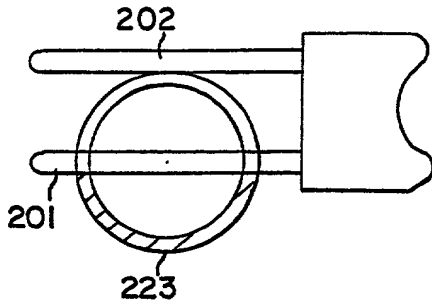


FIG. 60C

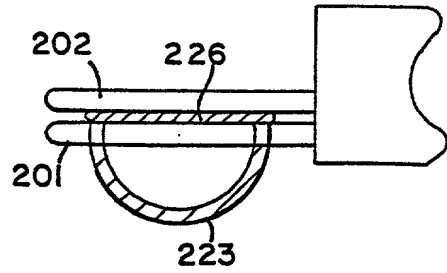


FIG. 60D

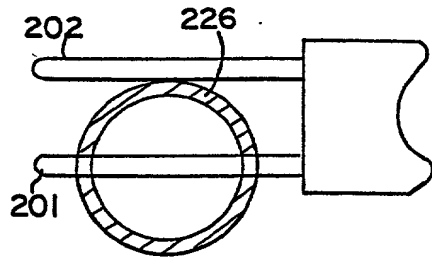


FIG. 60E

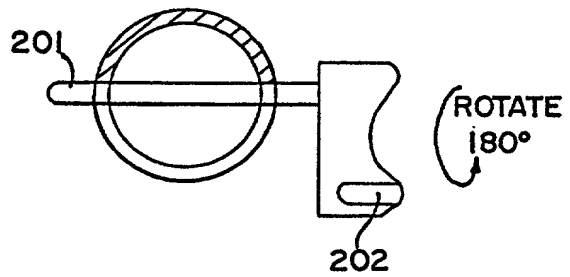


FIG. 60F

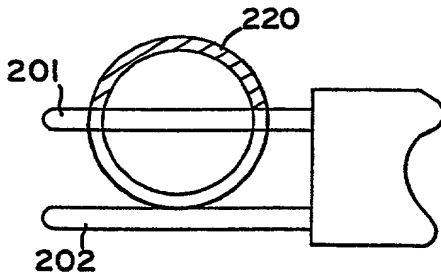


FIG. 60G

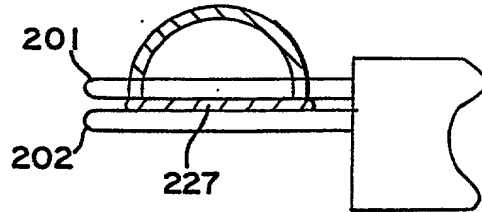


FIG. 60H

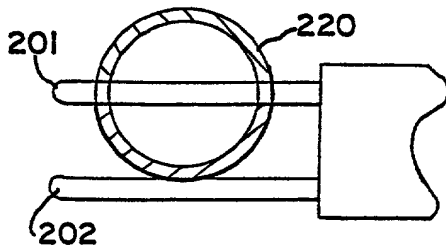


FIG. 60I

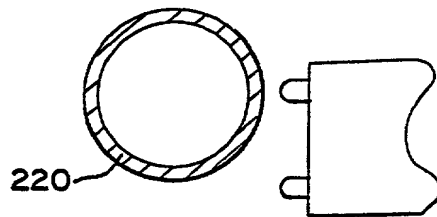


FIG. 60A

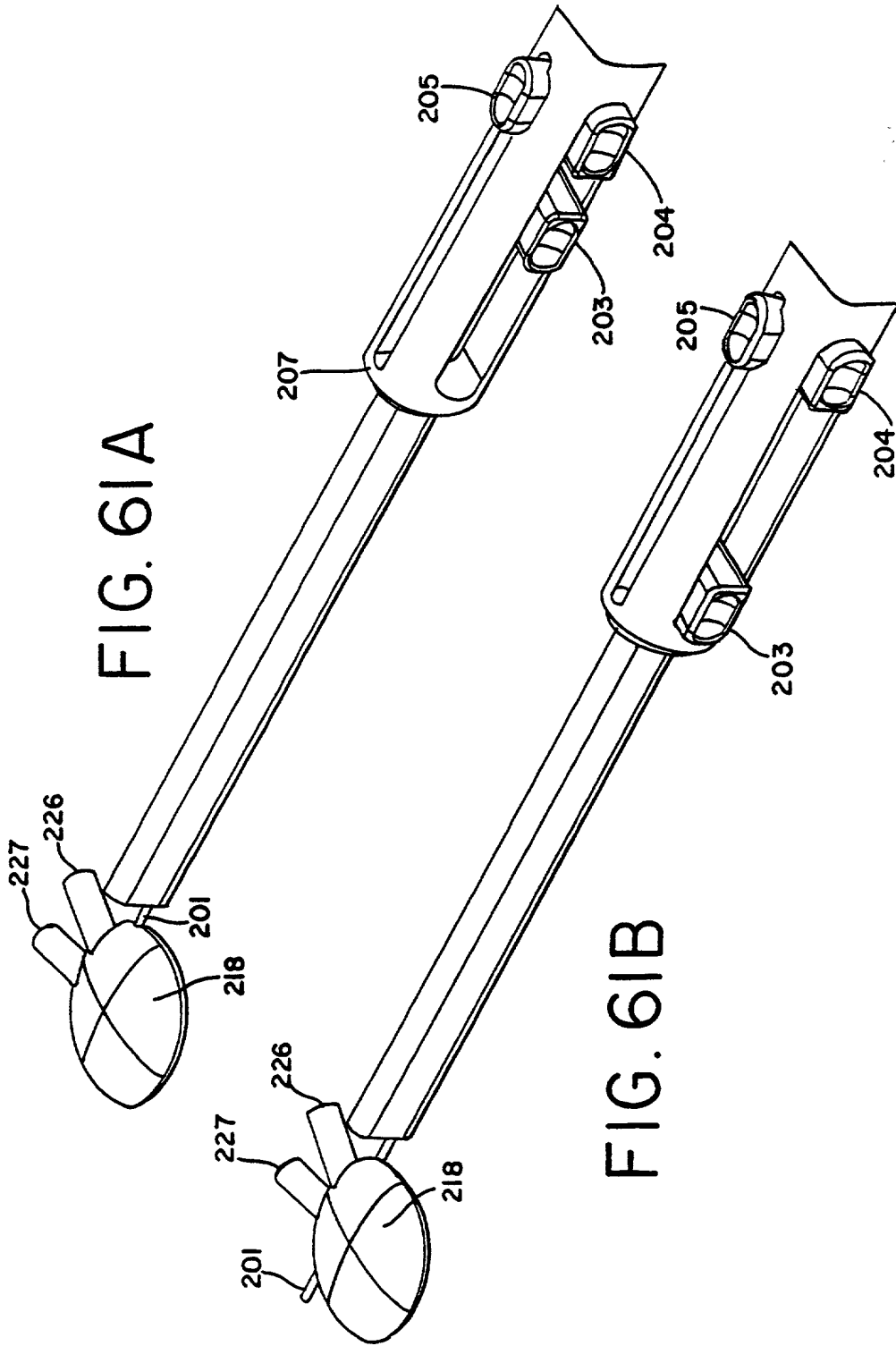
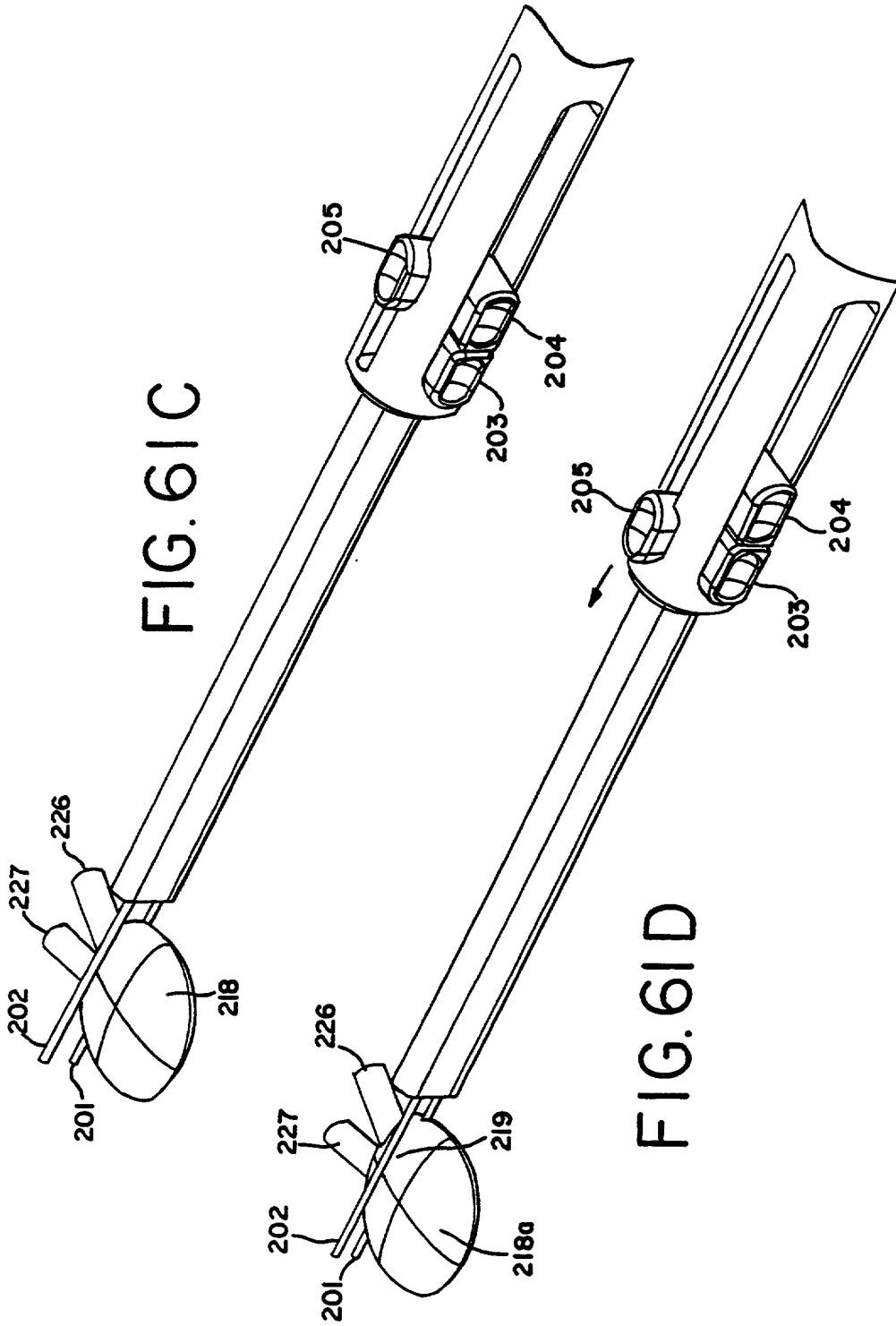
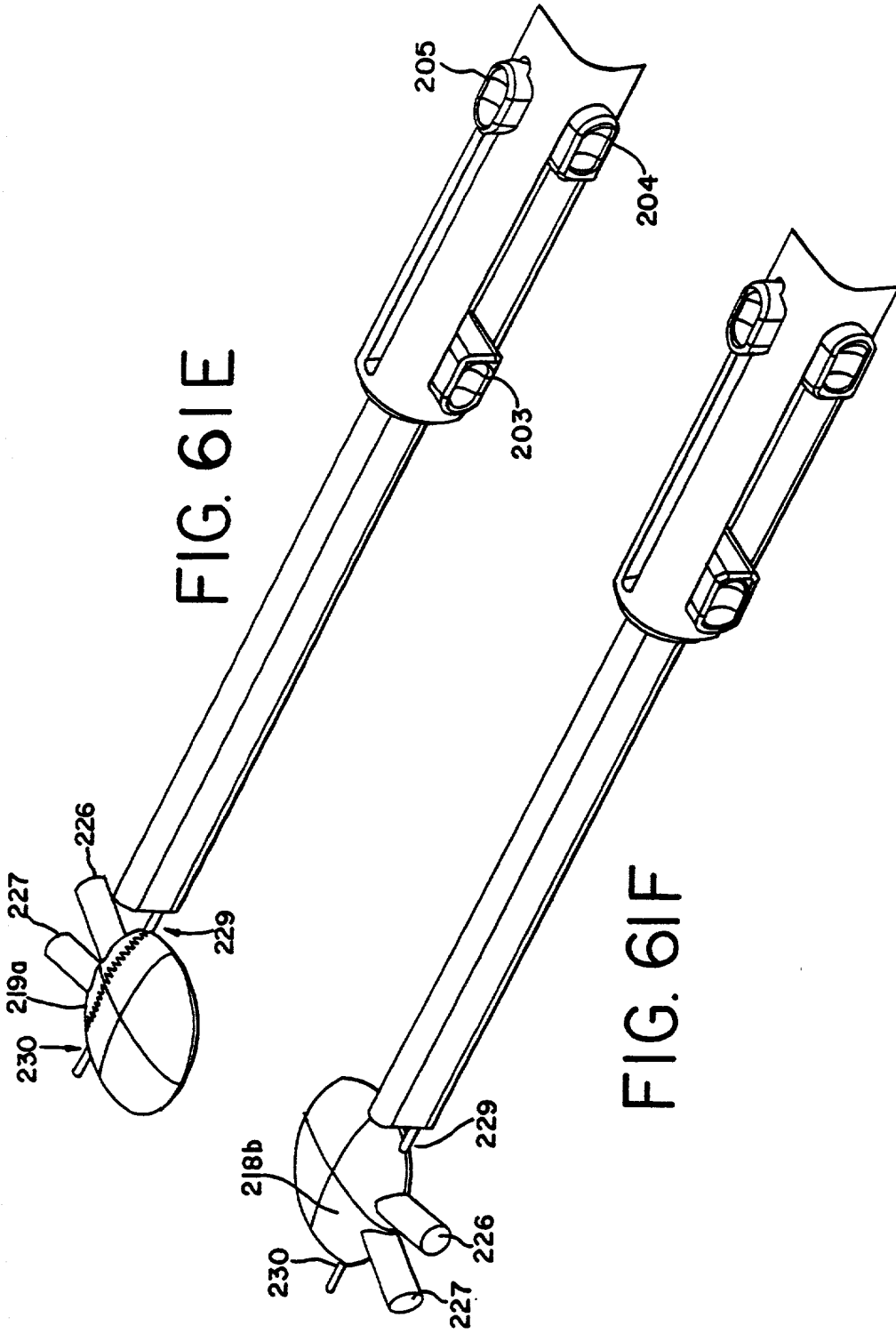
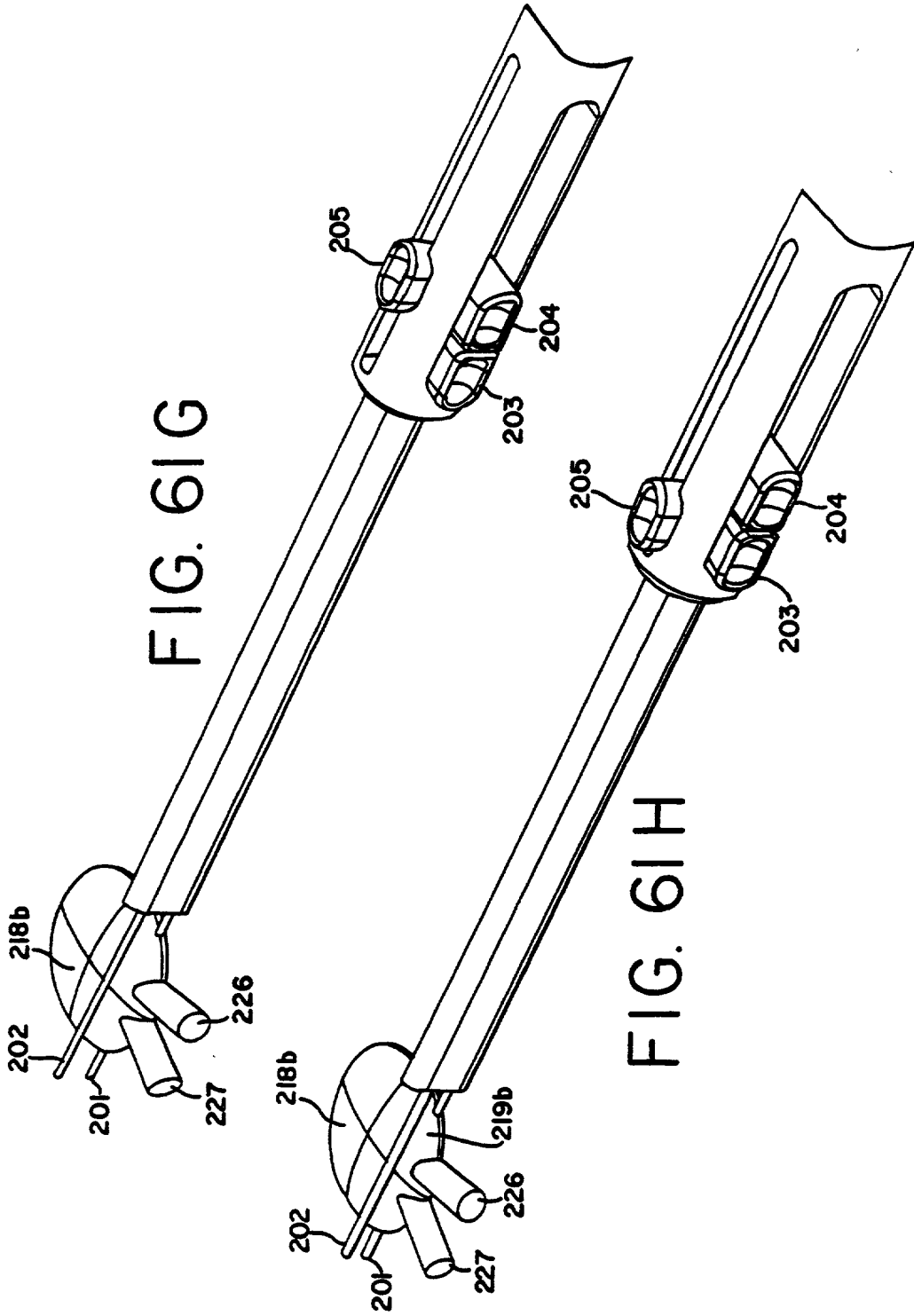


FIG. 61A

FIG. 61B







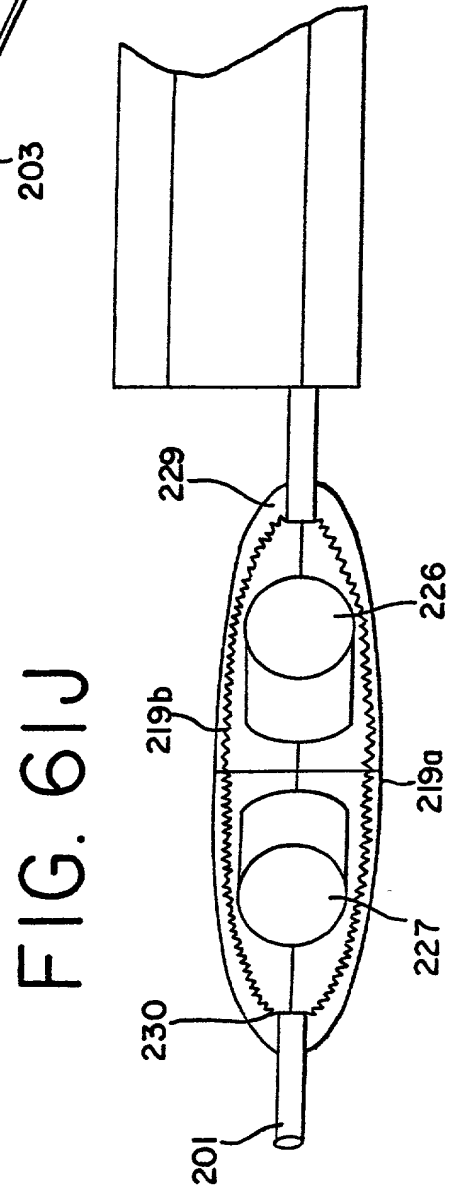
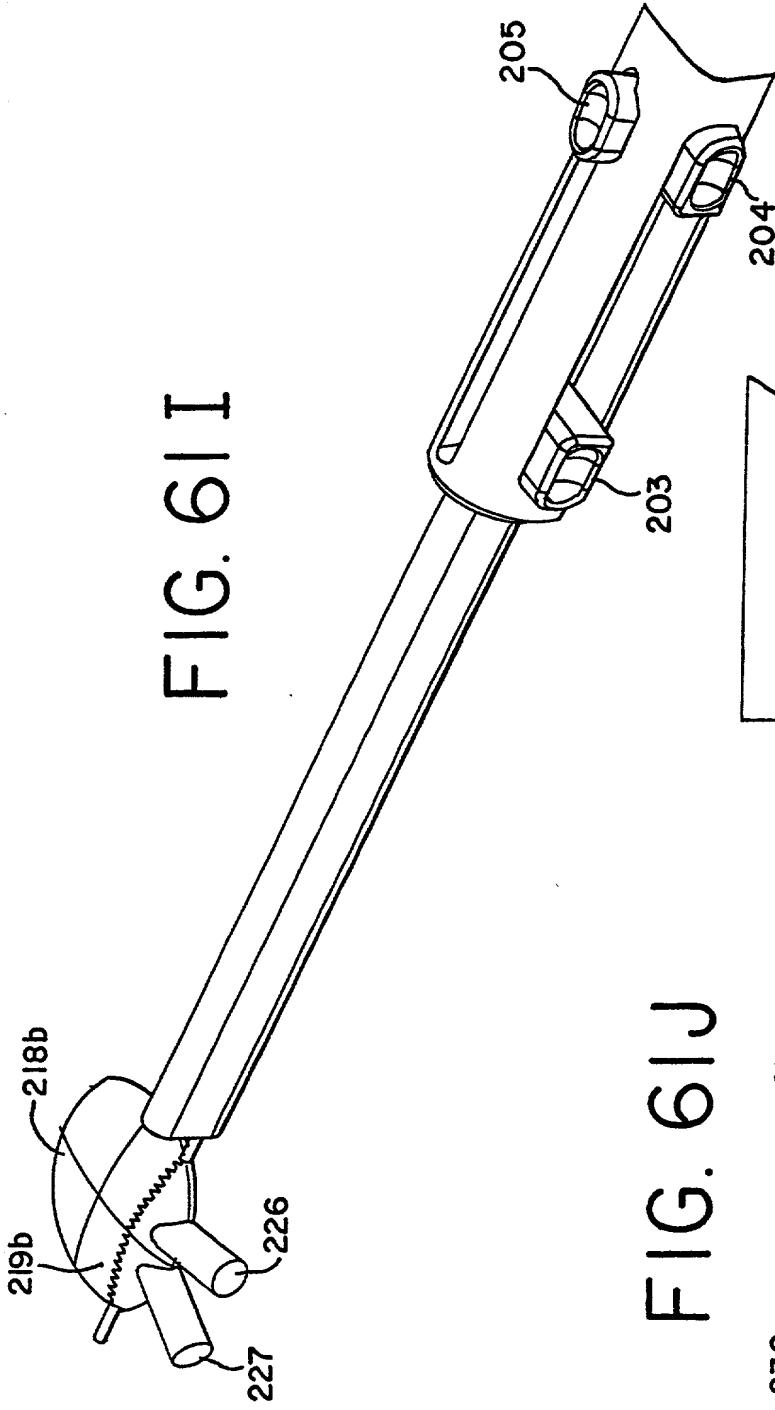


FIG.62A

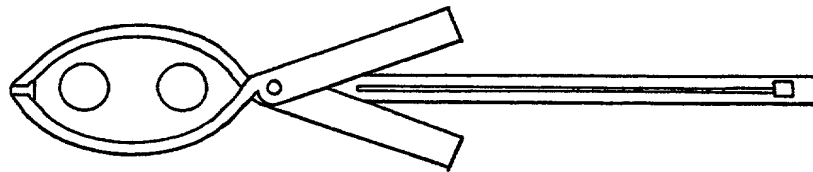


FIG.62B

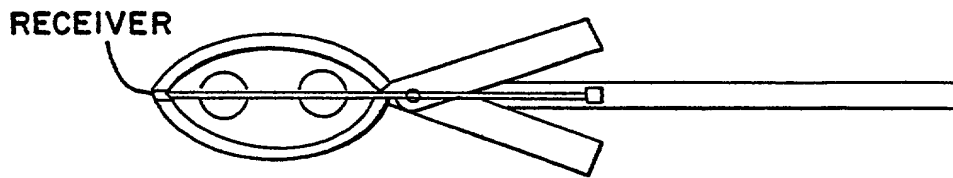


FIG.62C

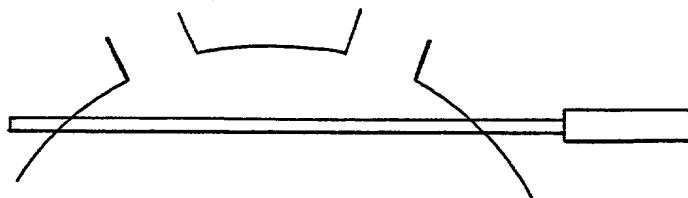


FIG. 62D

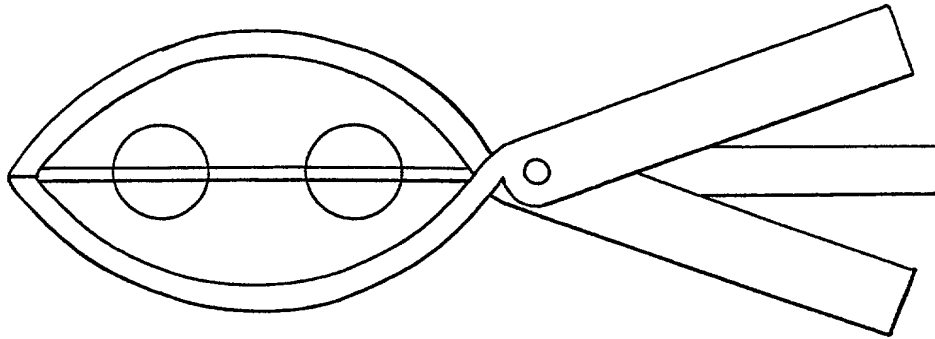


FIG. 62E

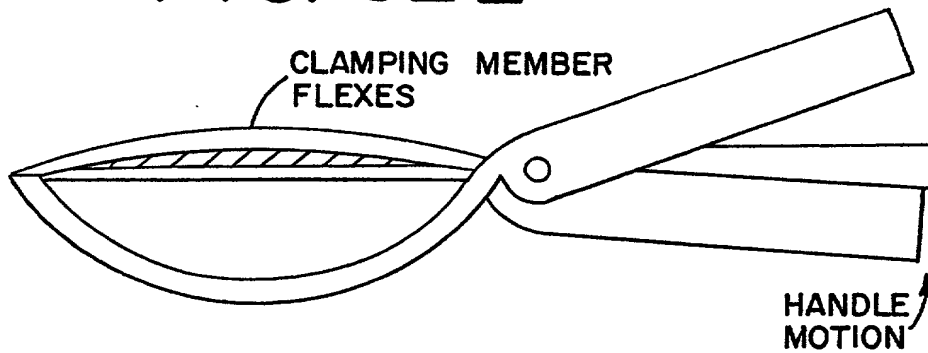


FIG. 62F

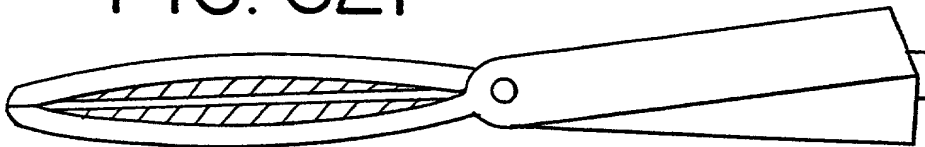


FIG. 62G

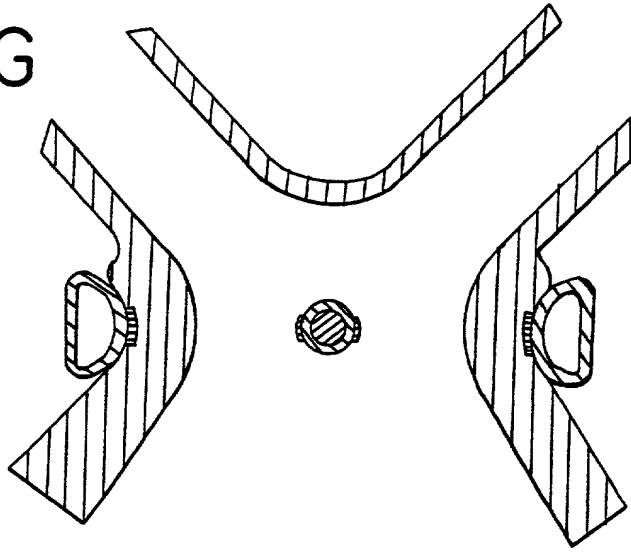


FIG. 62H

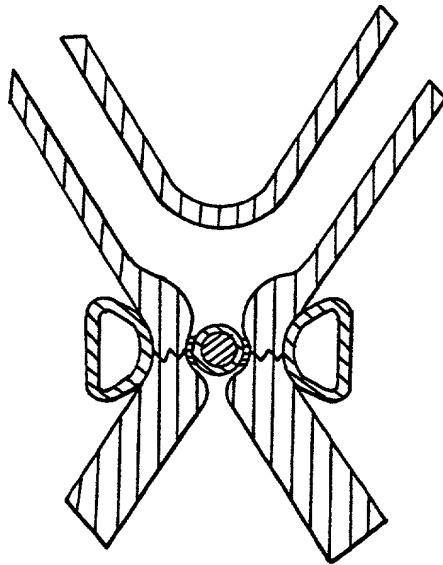
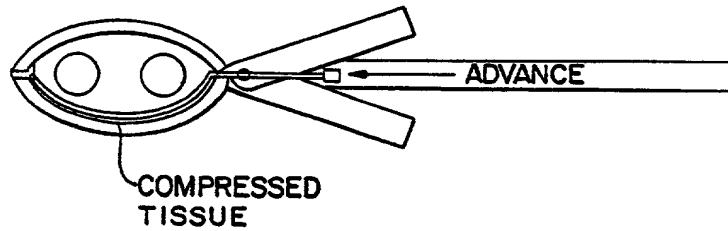


FIG. 62I



2025 RELEASE UNDER E.O. 14176

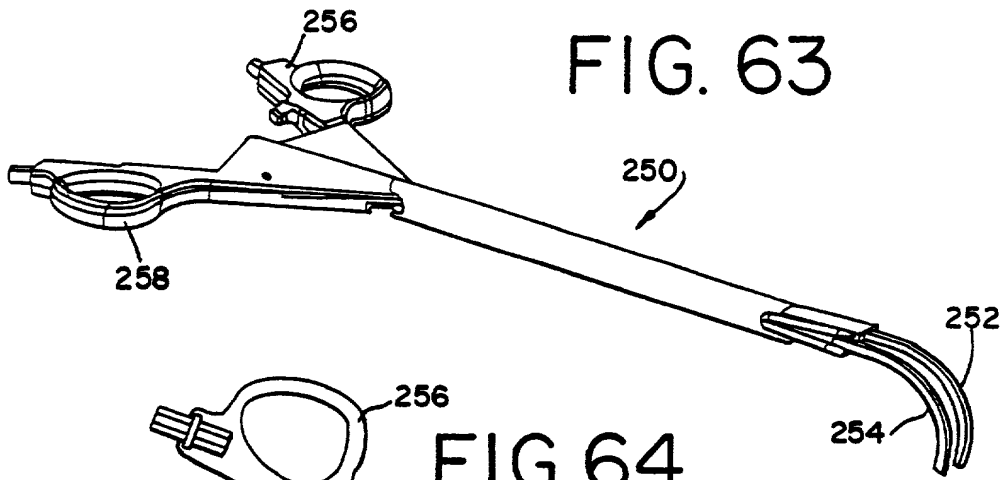


FIG. 63

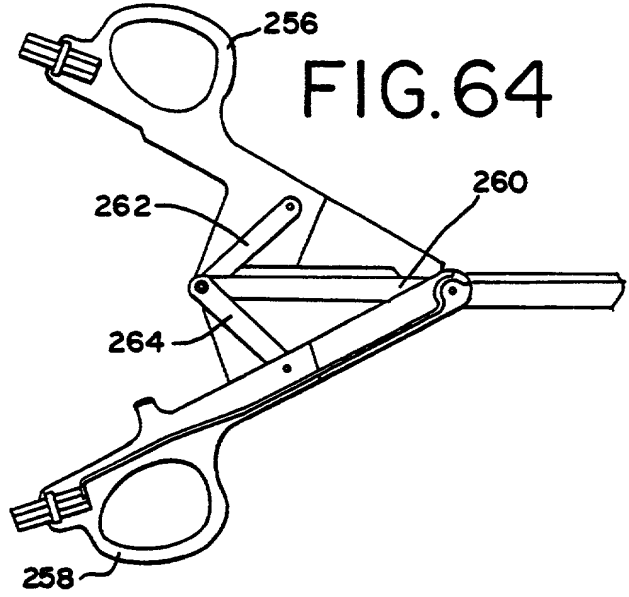


FIG. 64

FIG. 65A

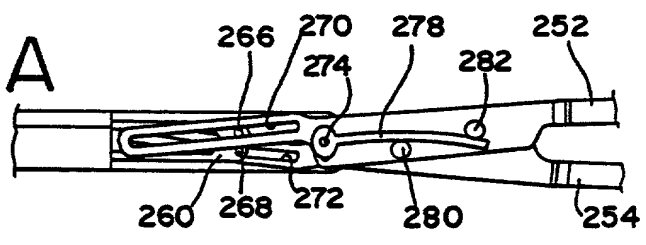


FIG. 65B

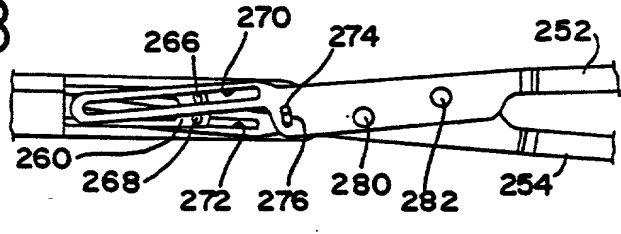


FIG. 66

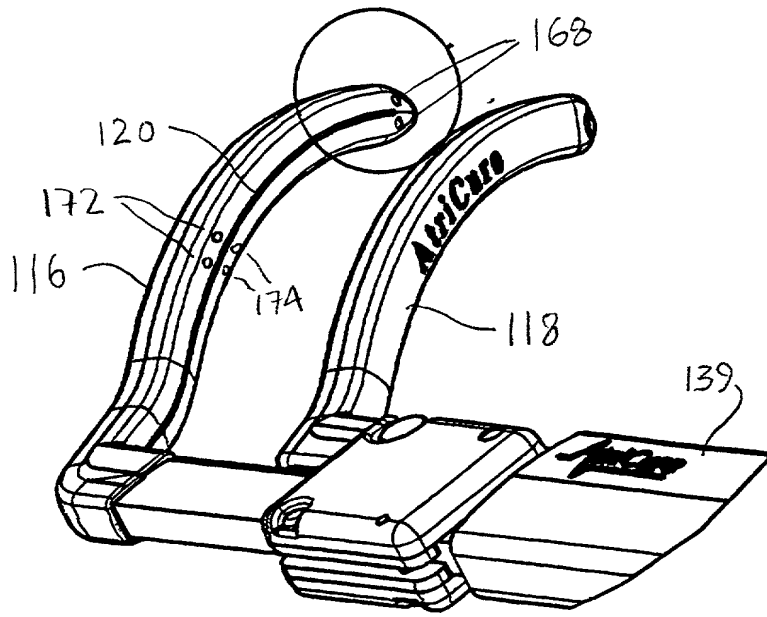
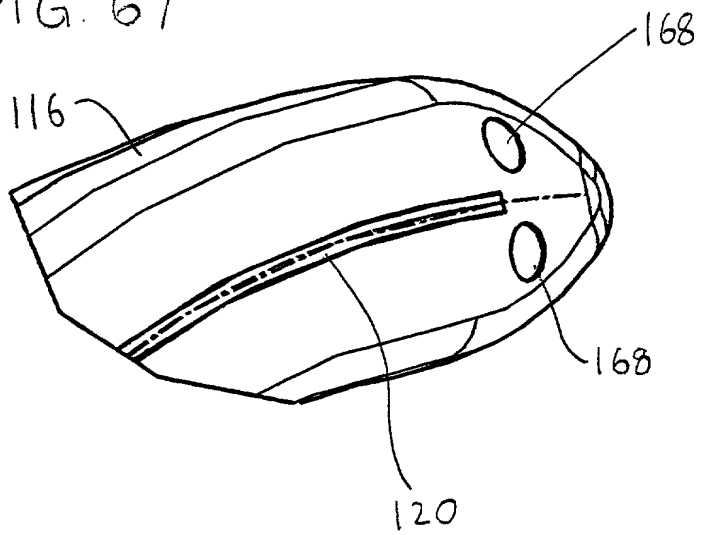


FIG. 67



Patent Office

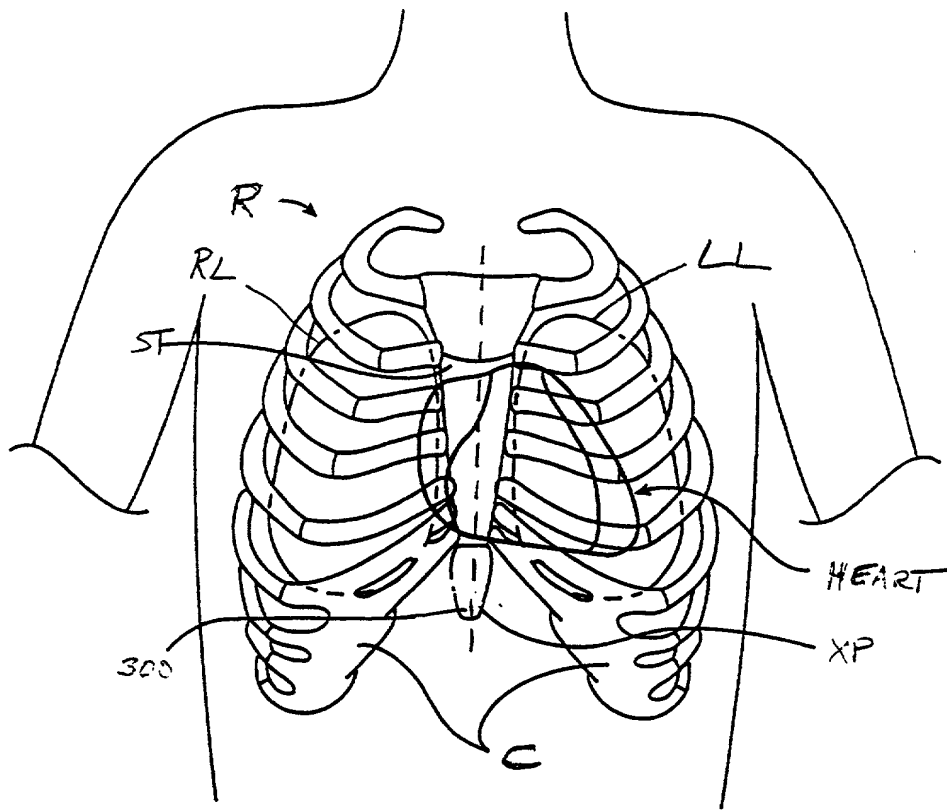


FIG. 68

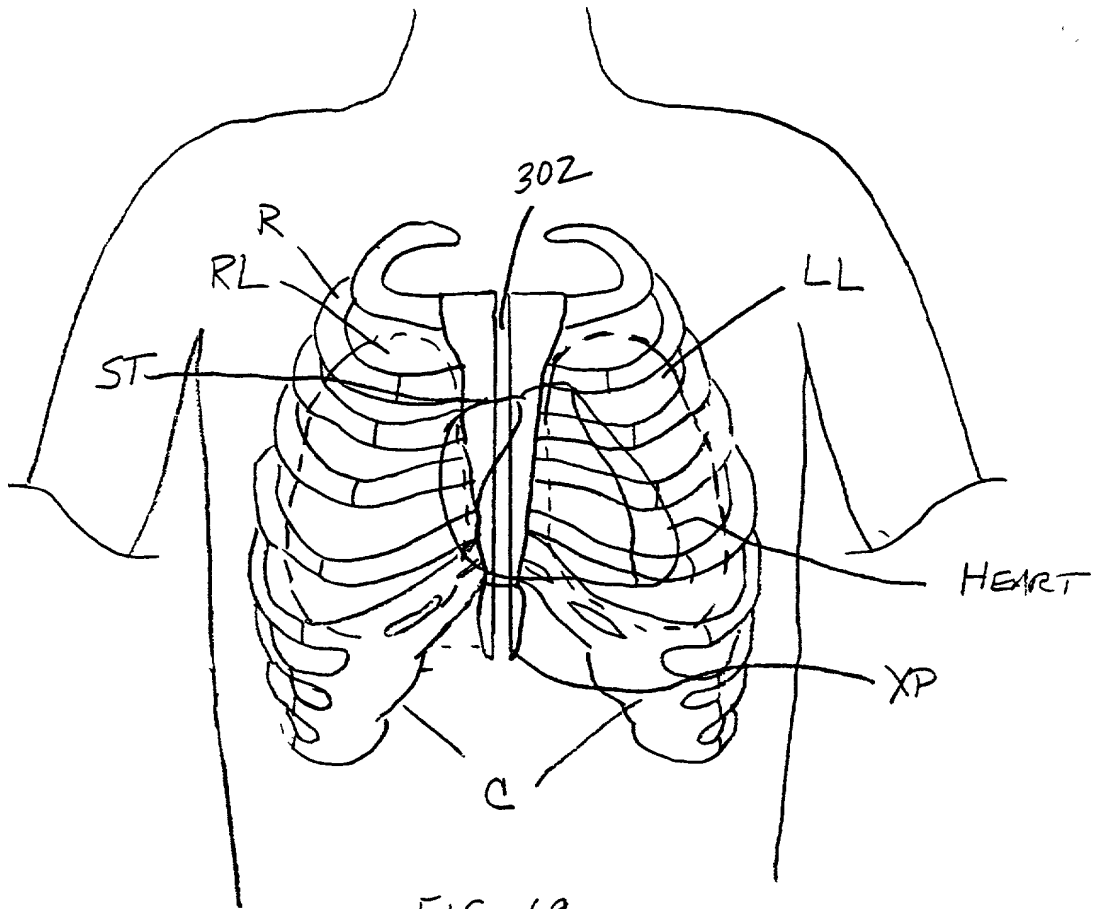
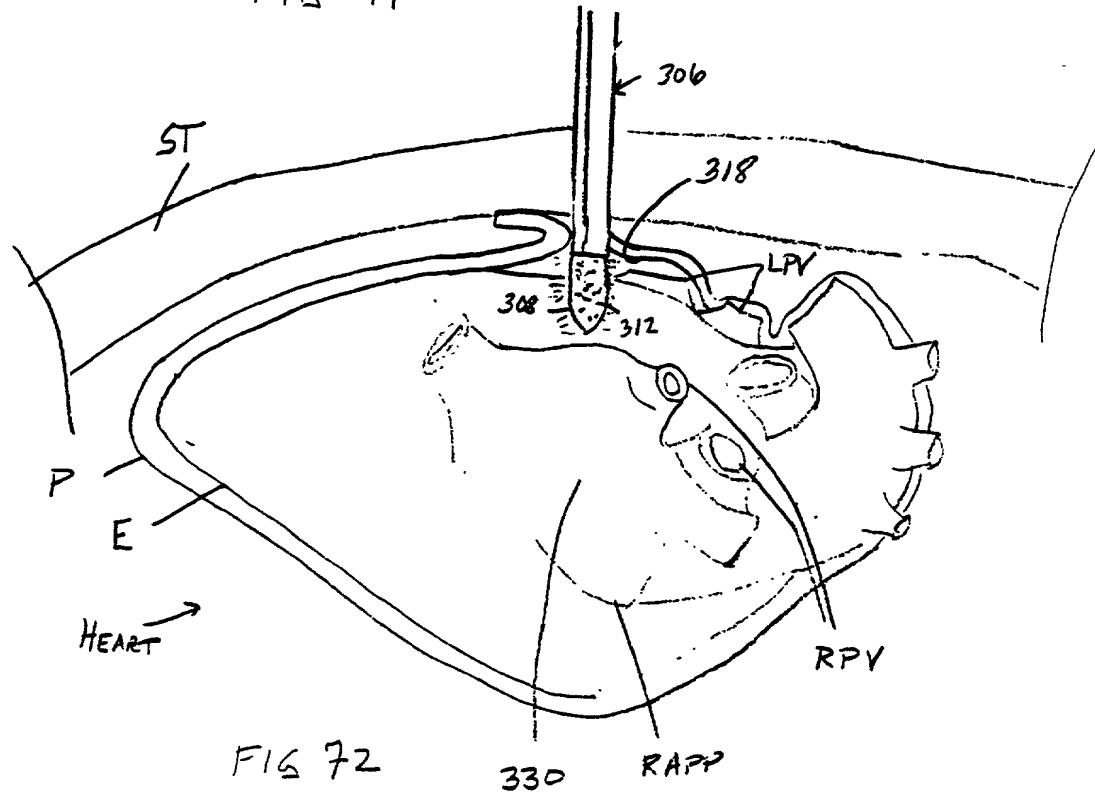
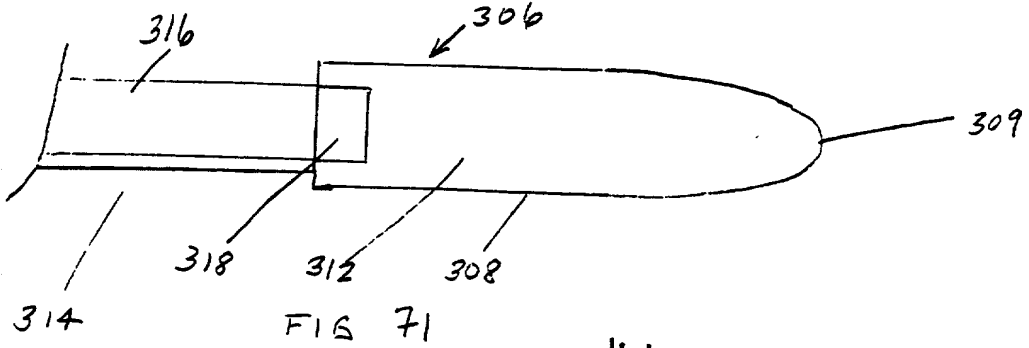
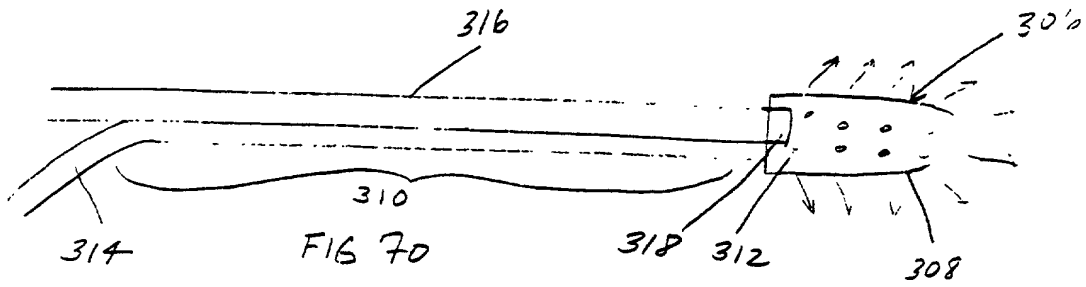


FIG. 69



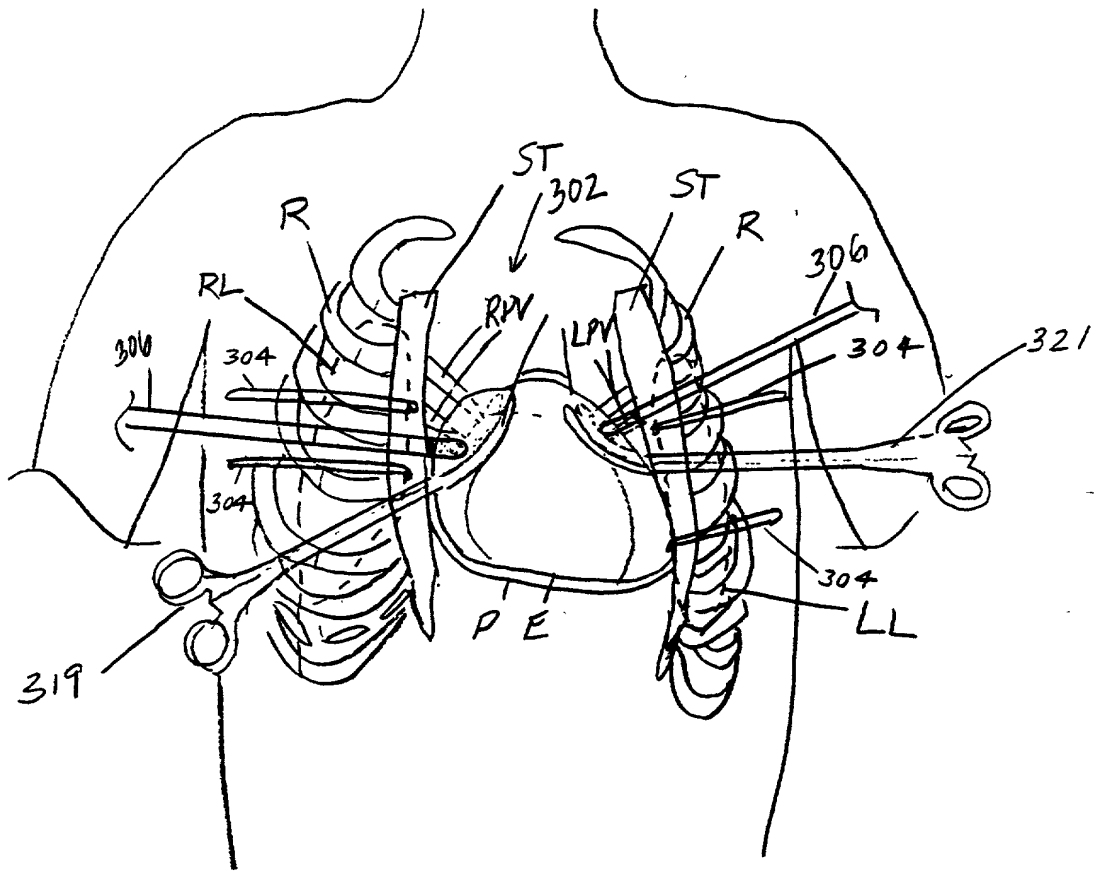


FIG 73

FIG 74

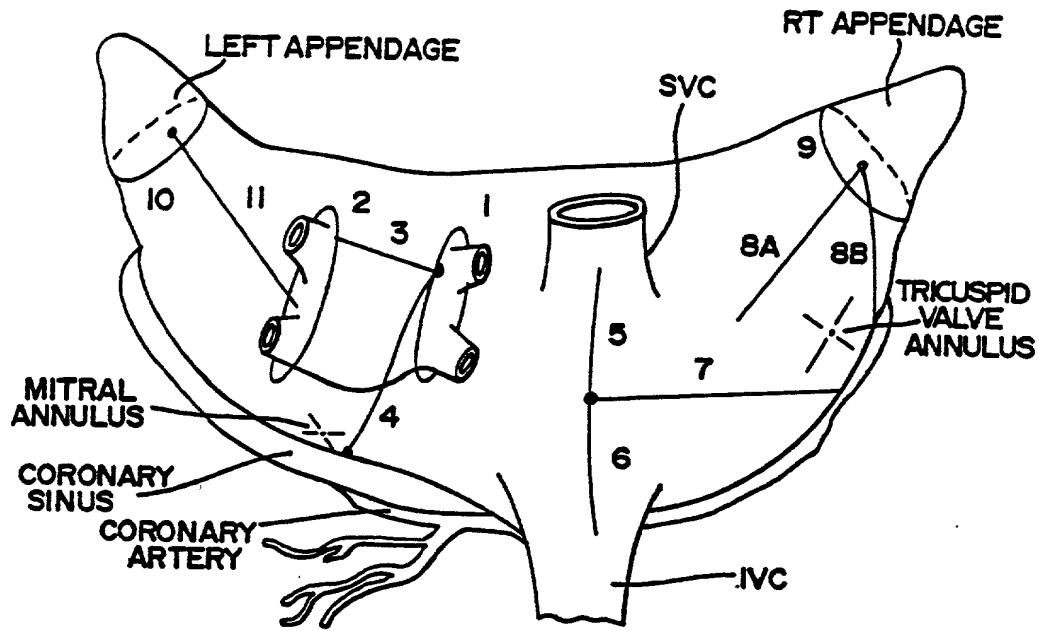


FIG. 75

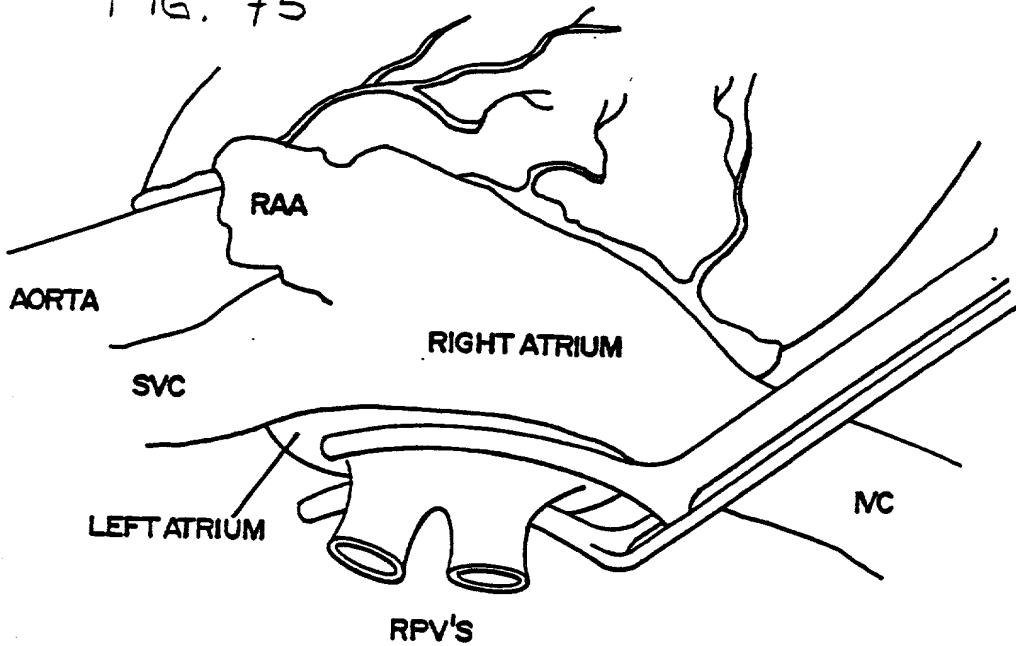


FIG. 76

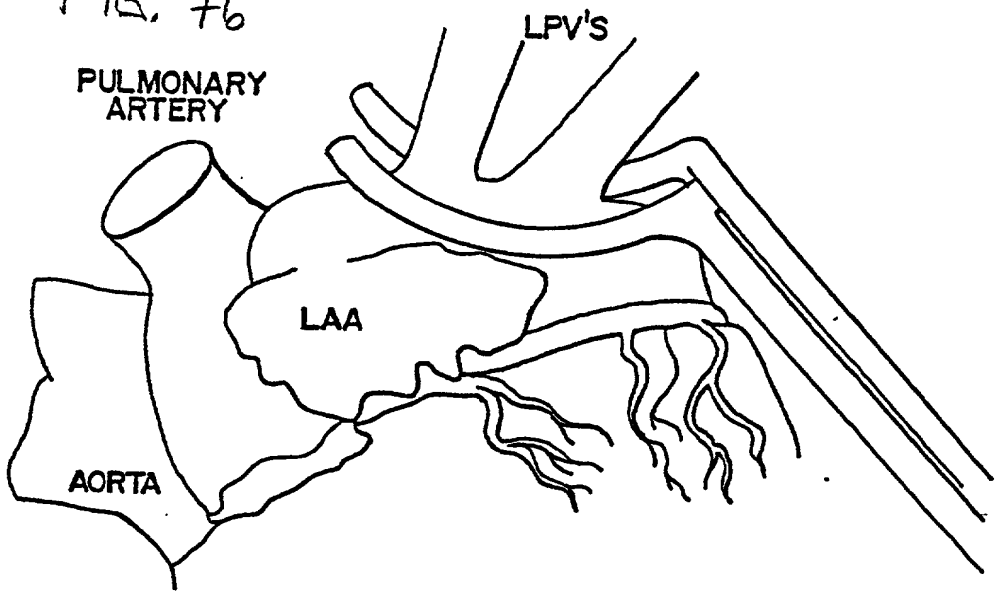
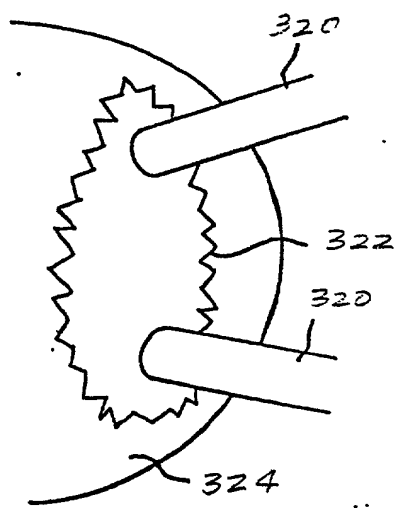


FIG. 77



6666-44308

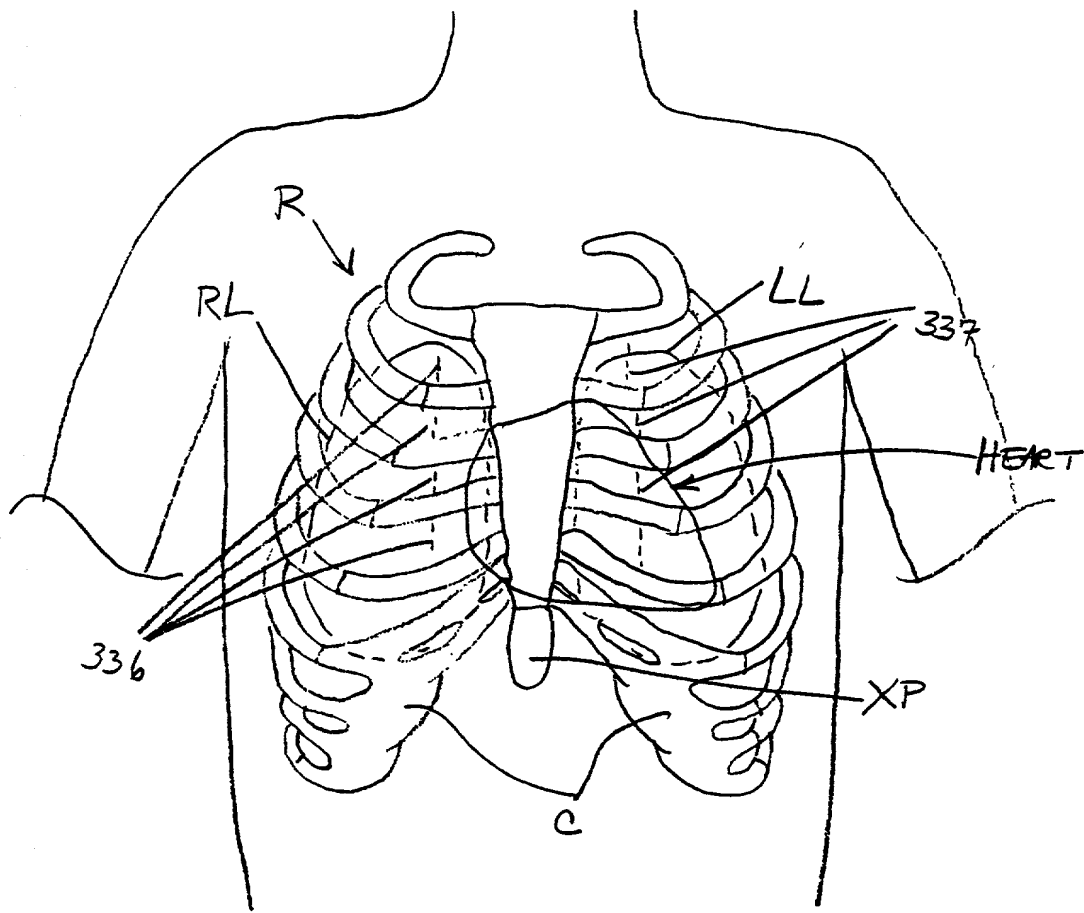


FIG. 78

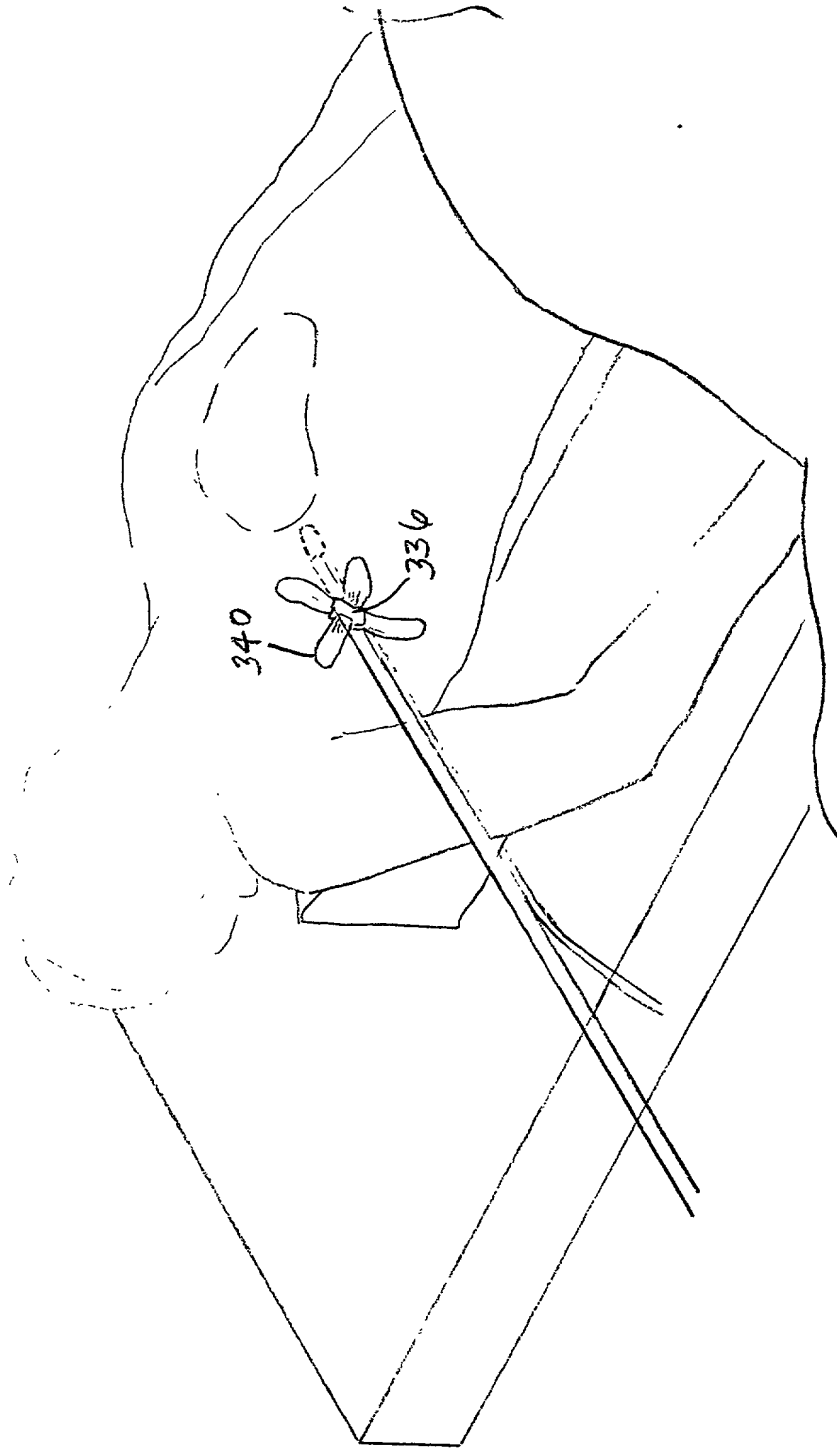


FIG. 79

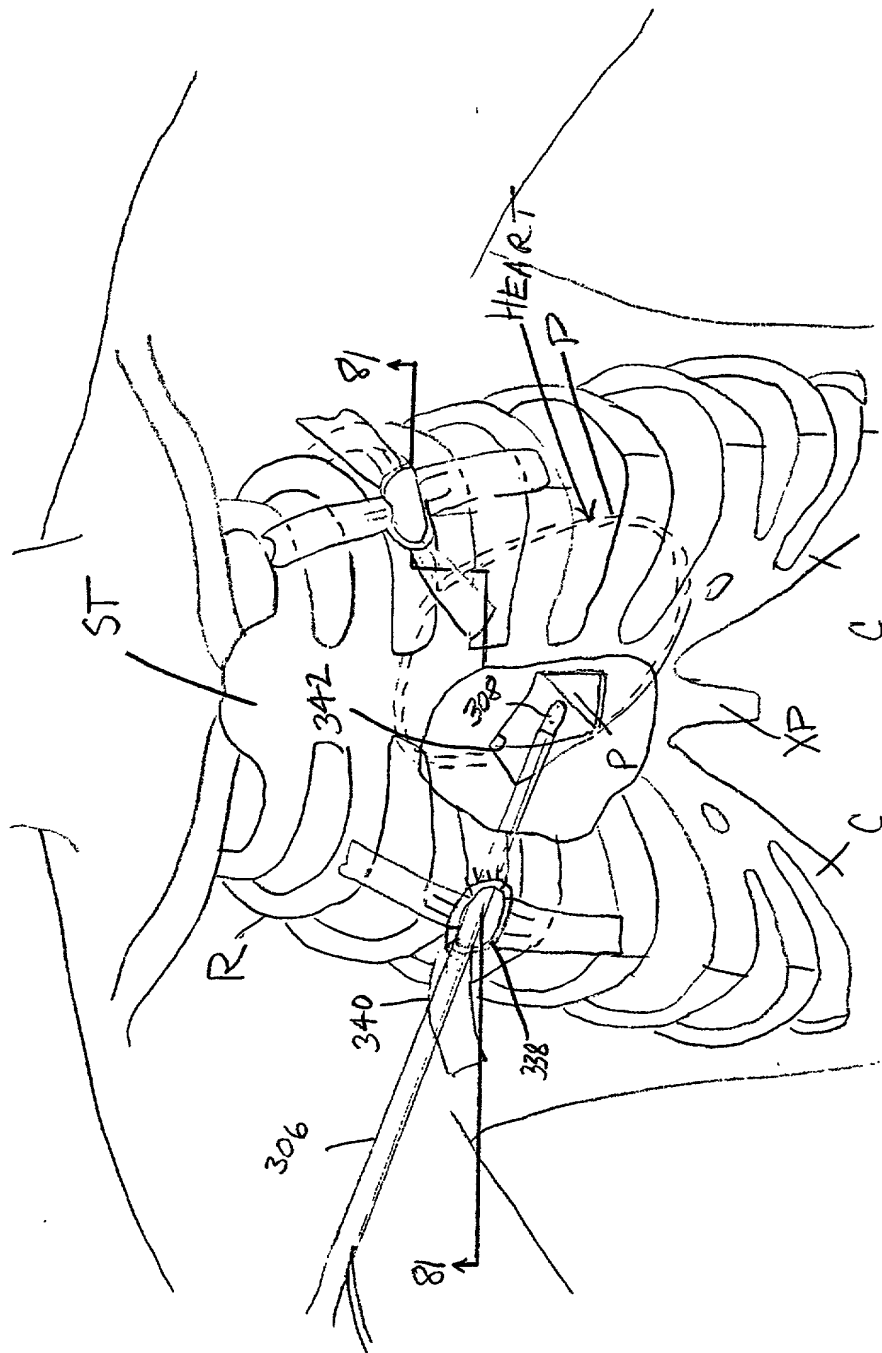


FIG. 80

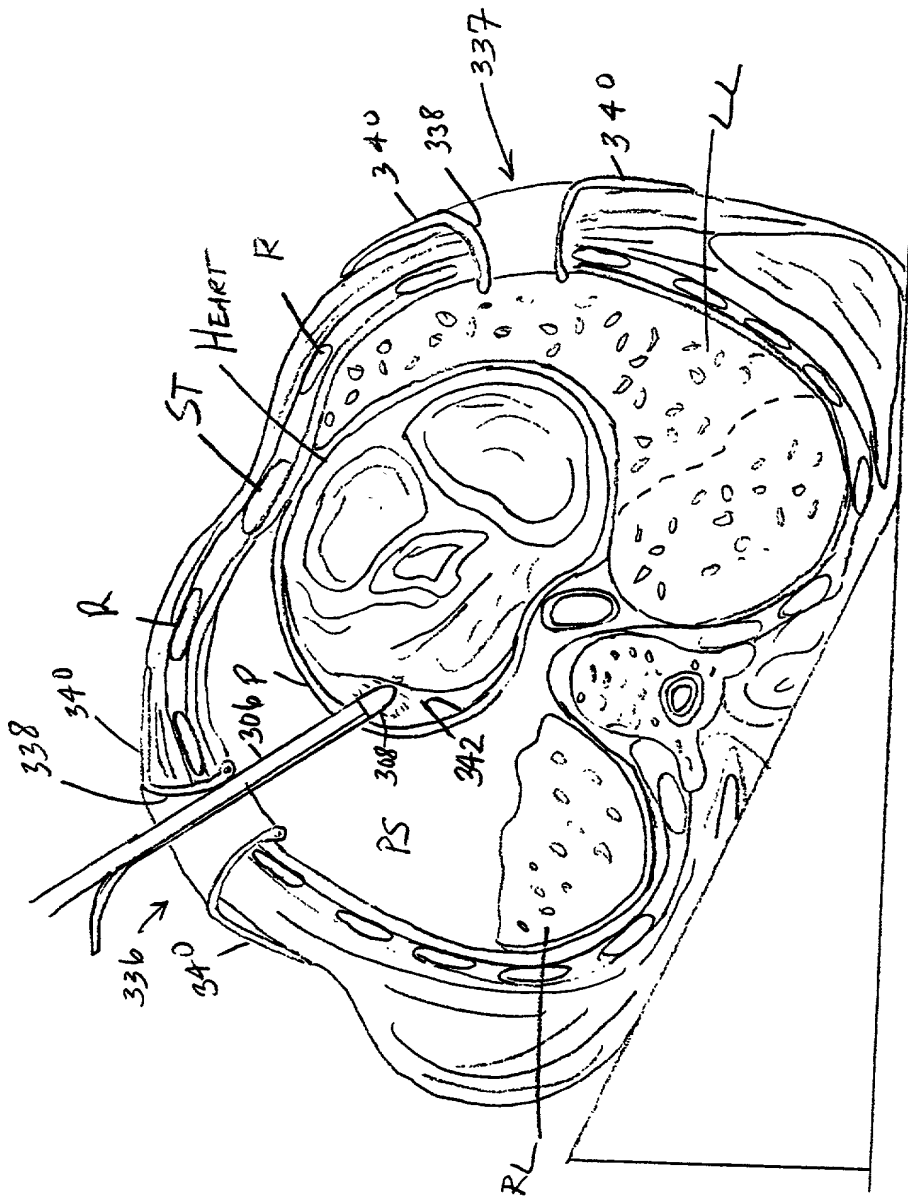


FIG. 81

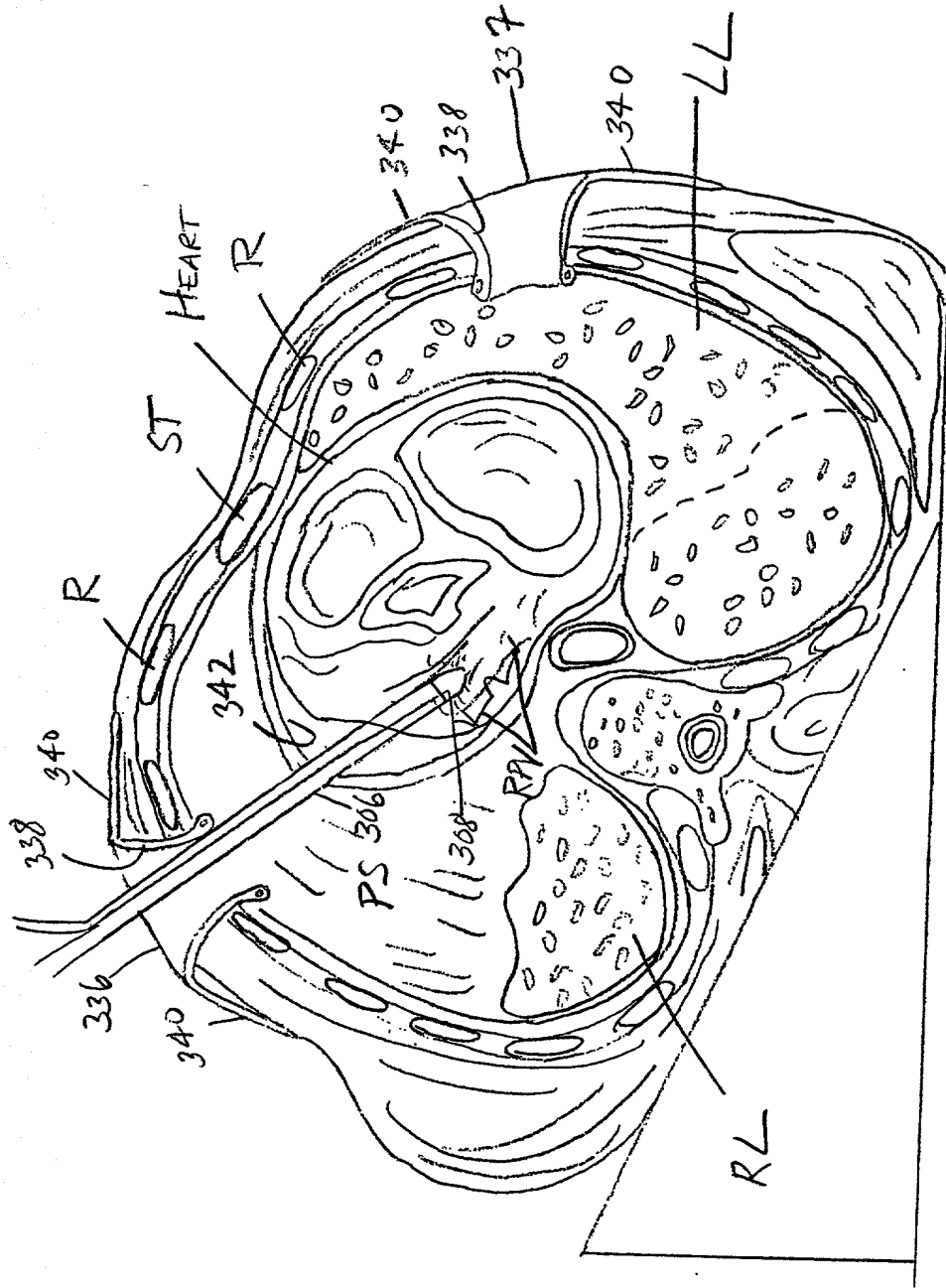


FIG. 82

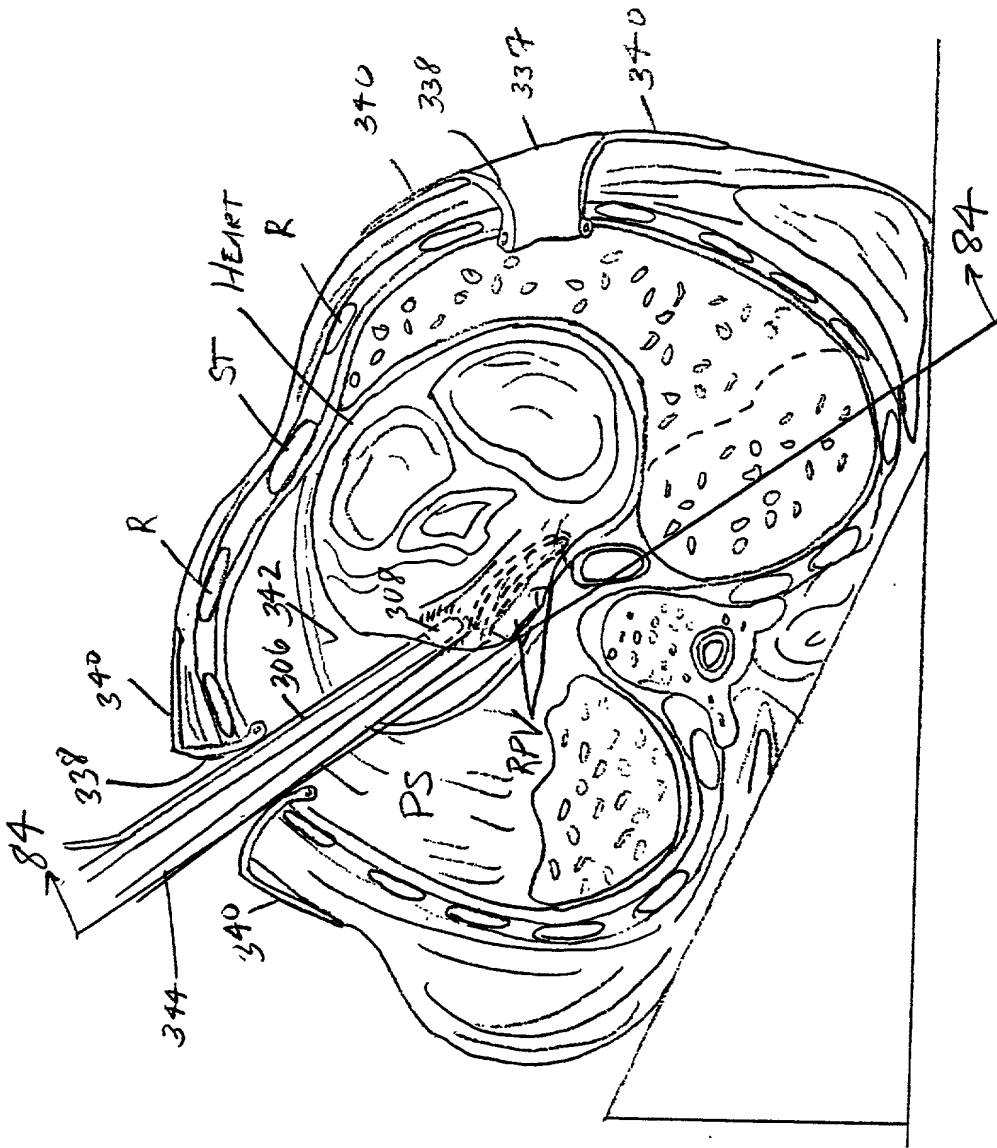


FIG 83

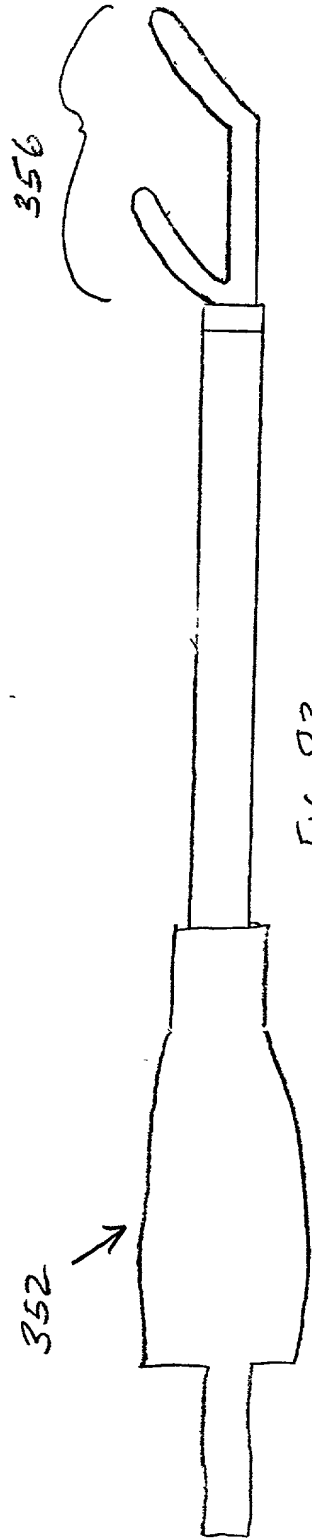


FIG. 83

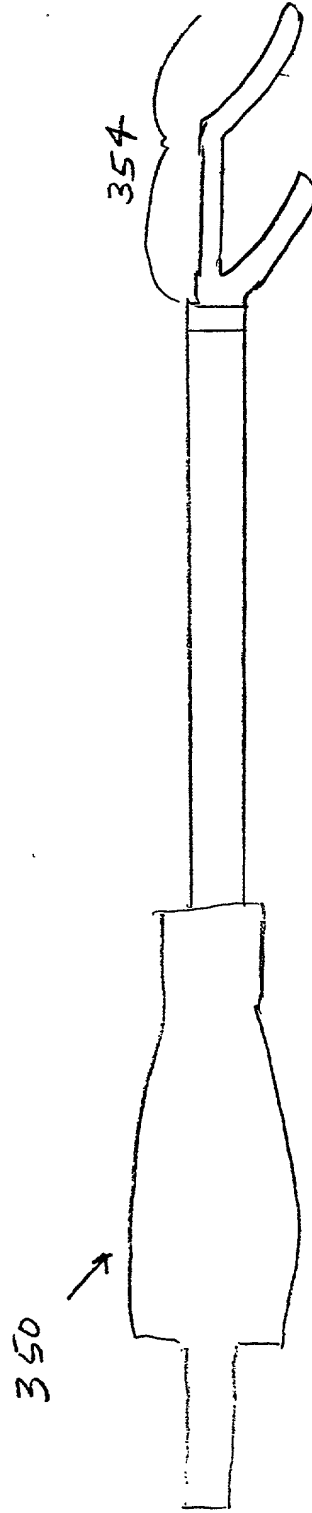


FIG. 83A

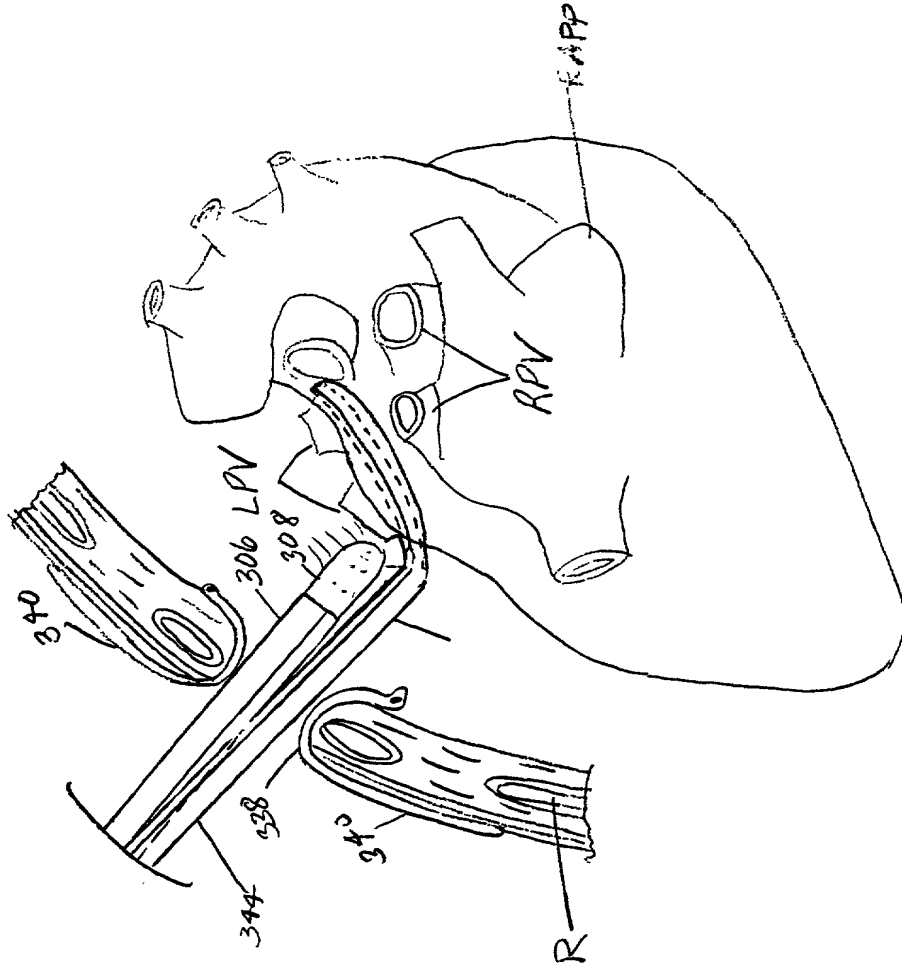


FIG 84

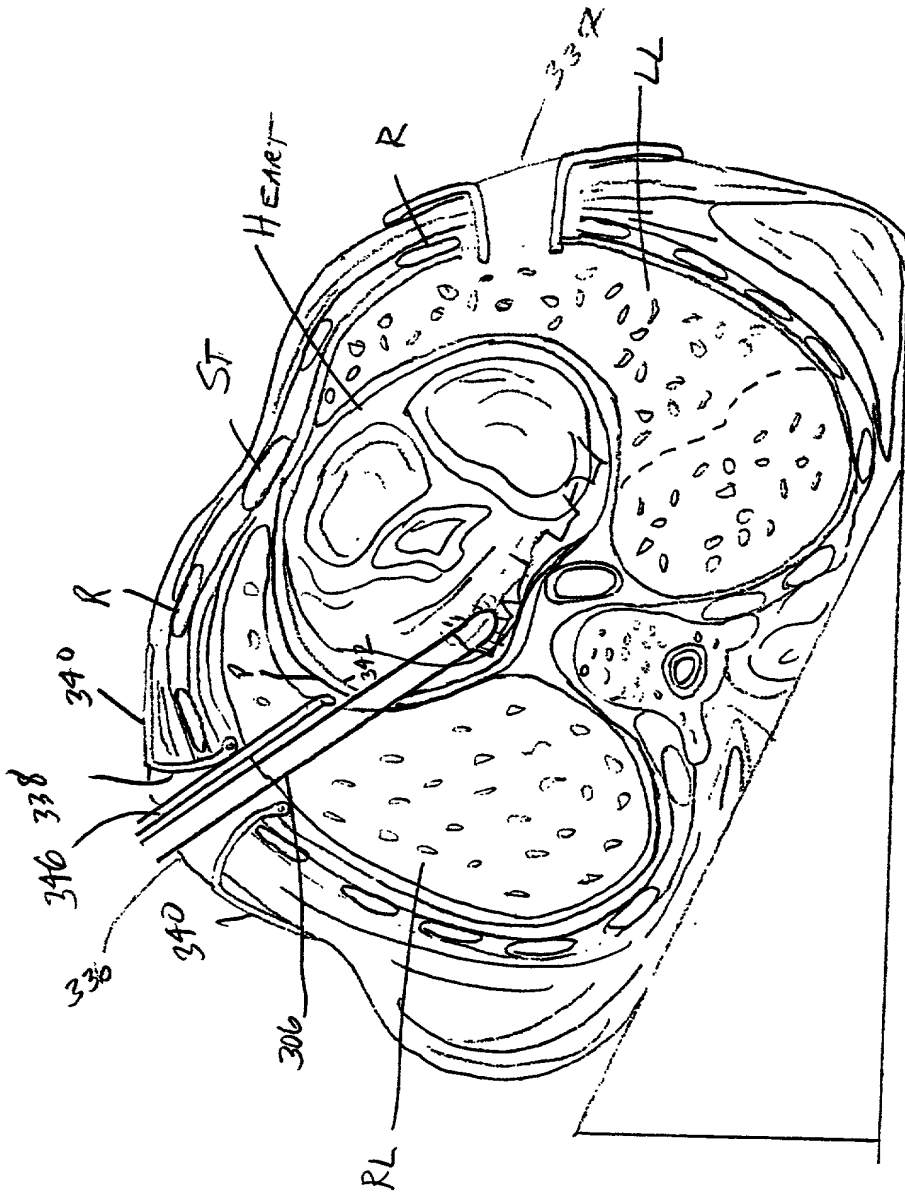


FIG. 85

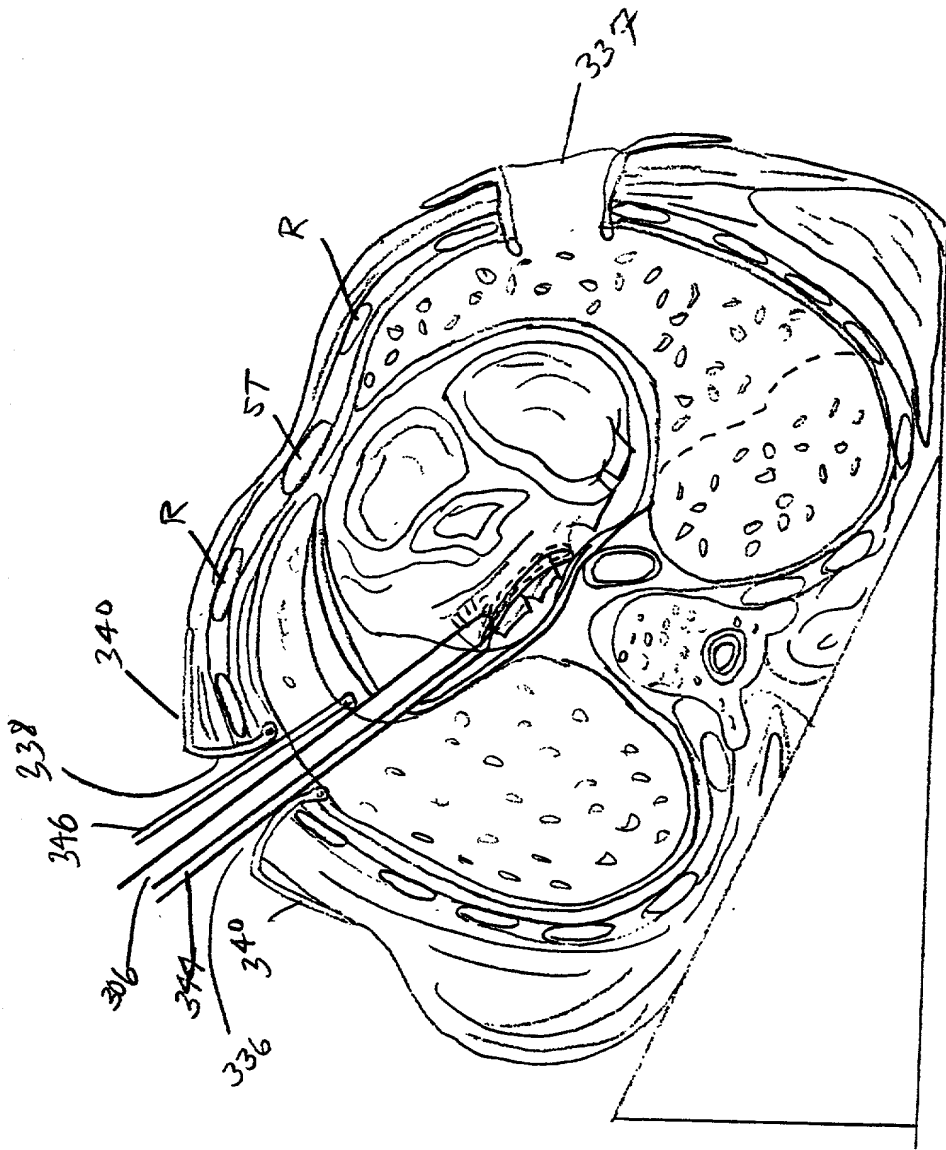


FIG 86

2025 RELEASE UNDER E.O. 14176

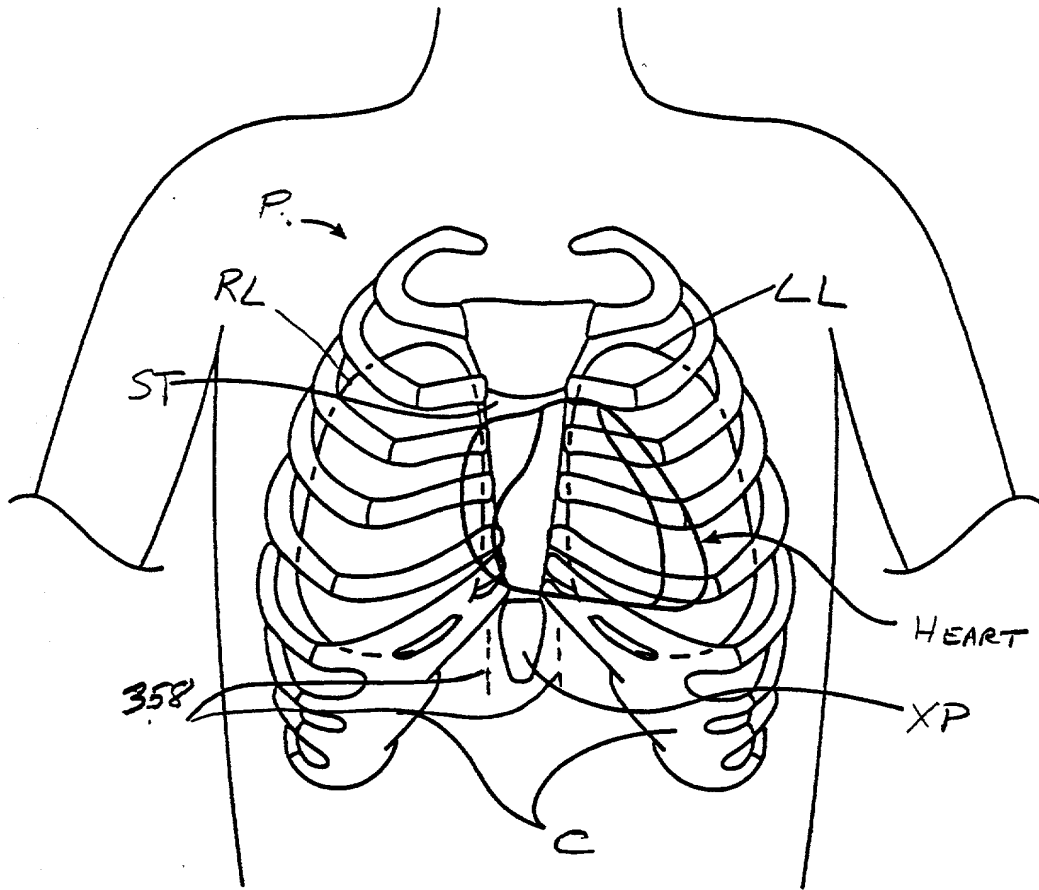


FIG. 87

Patent Pending

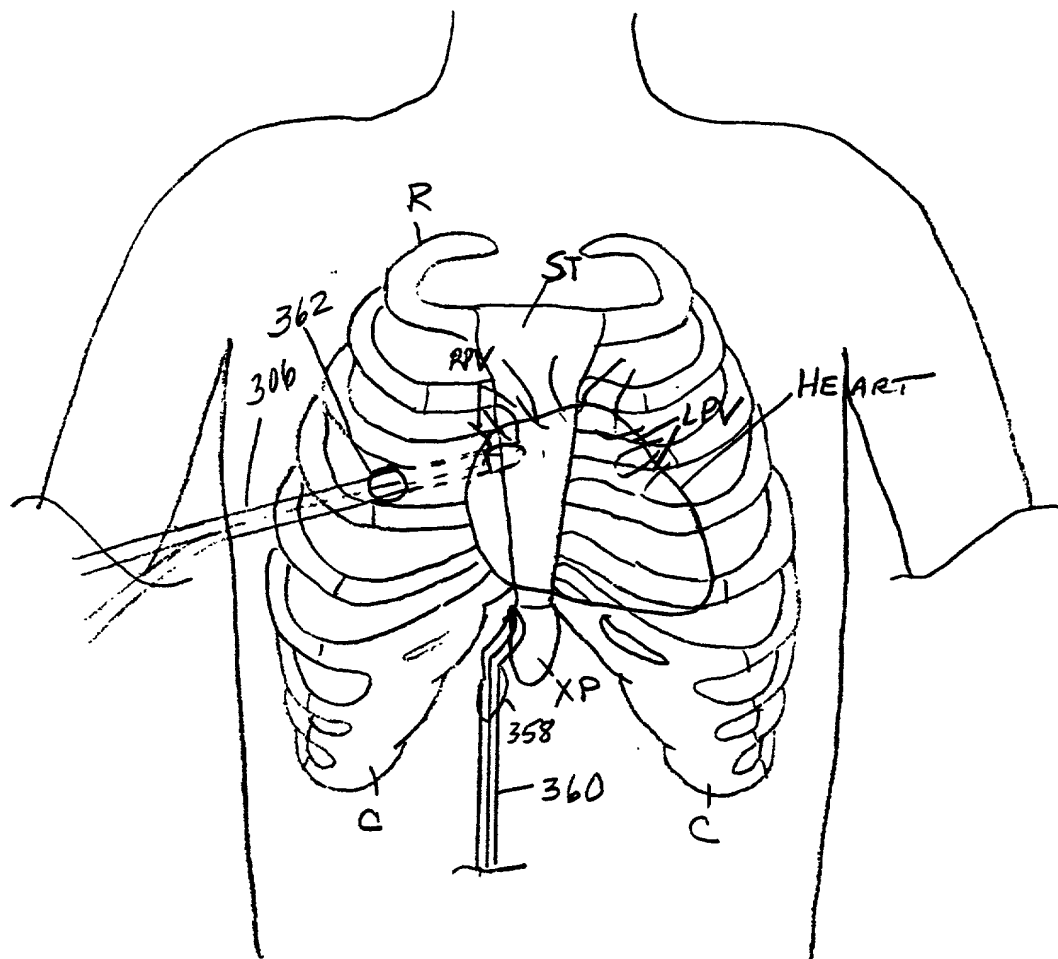


FIG. 88

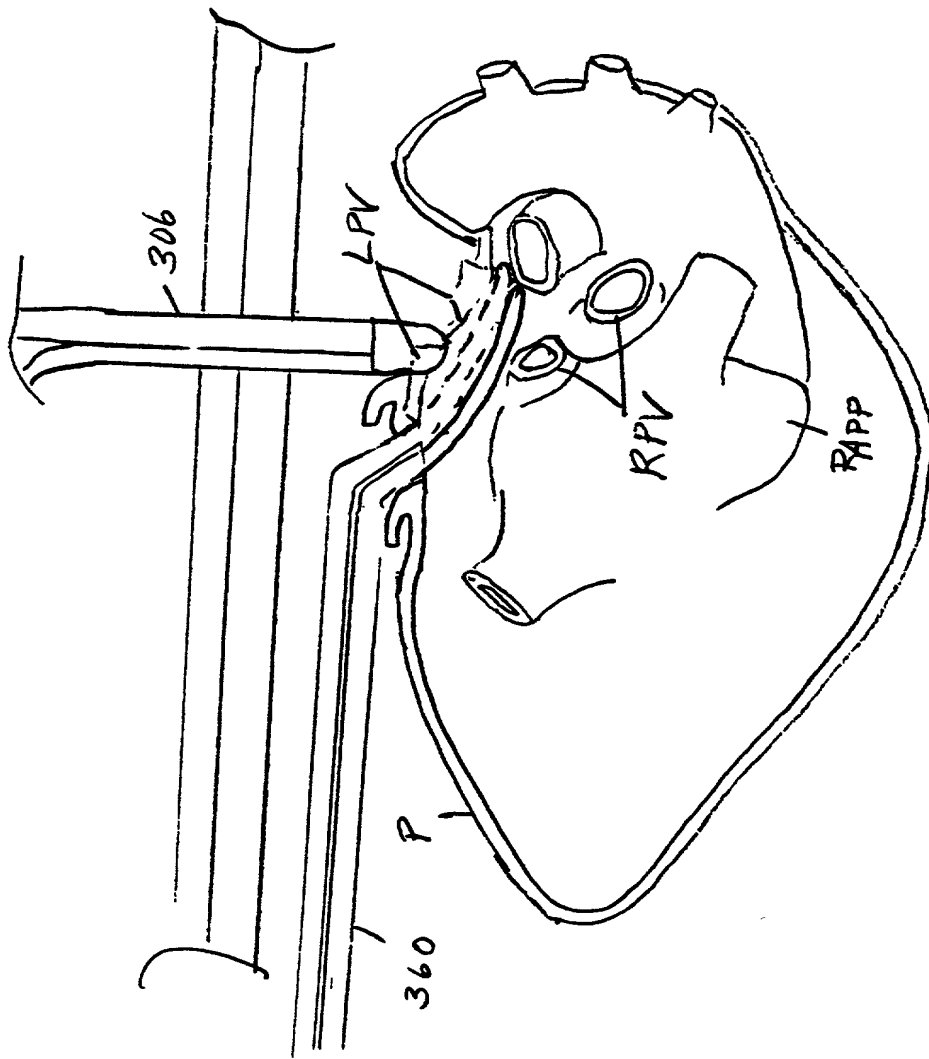


FIG. 90

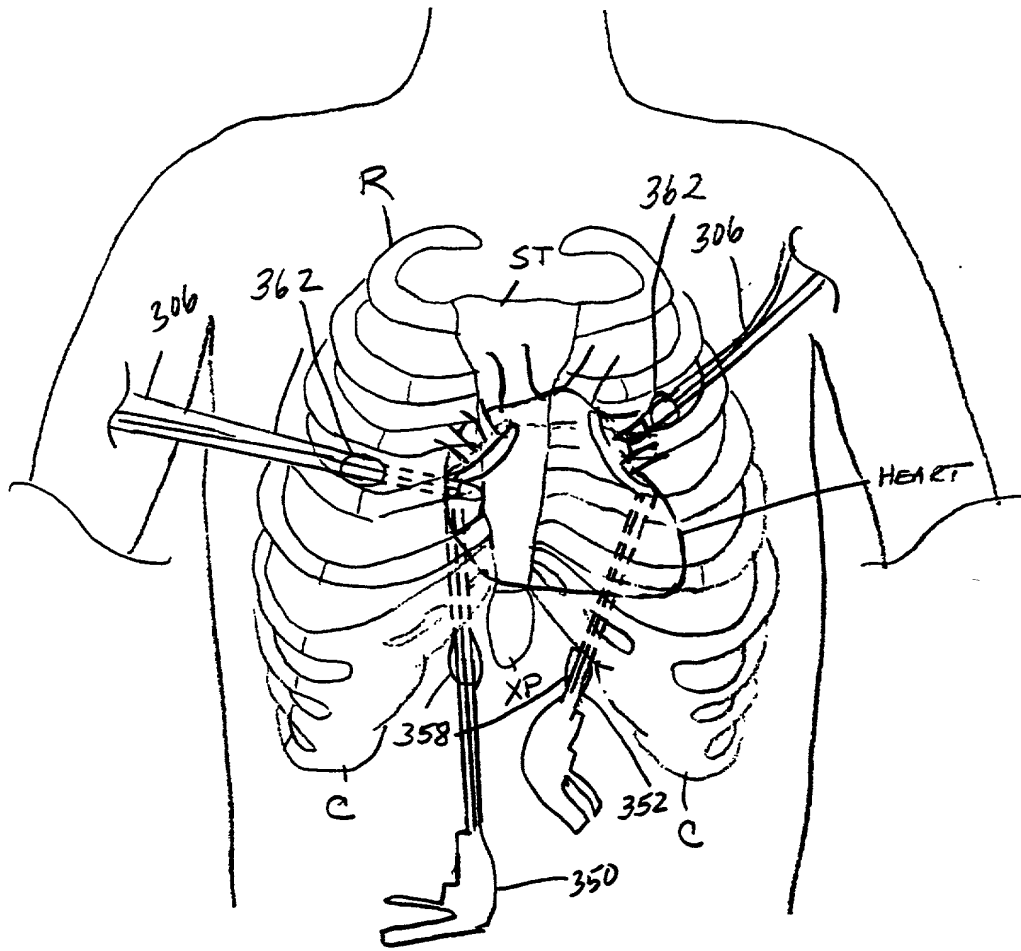


FIG 91

2025 RELEASE

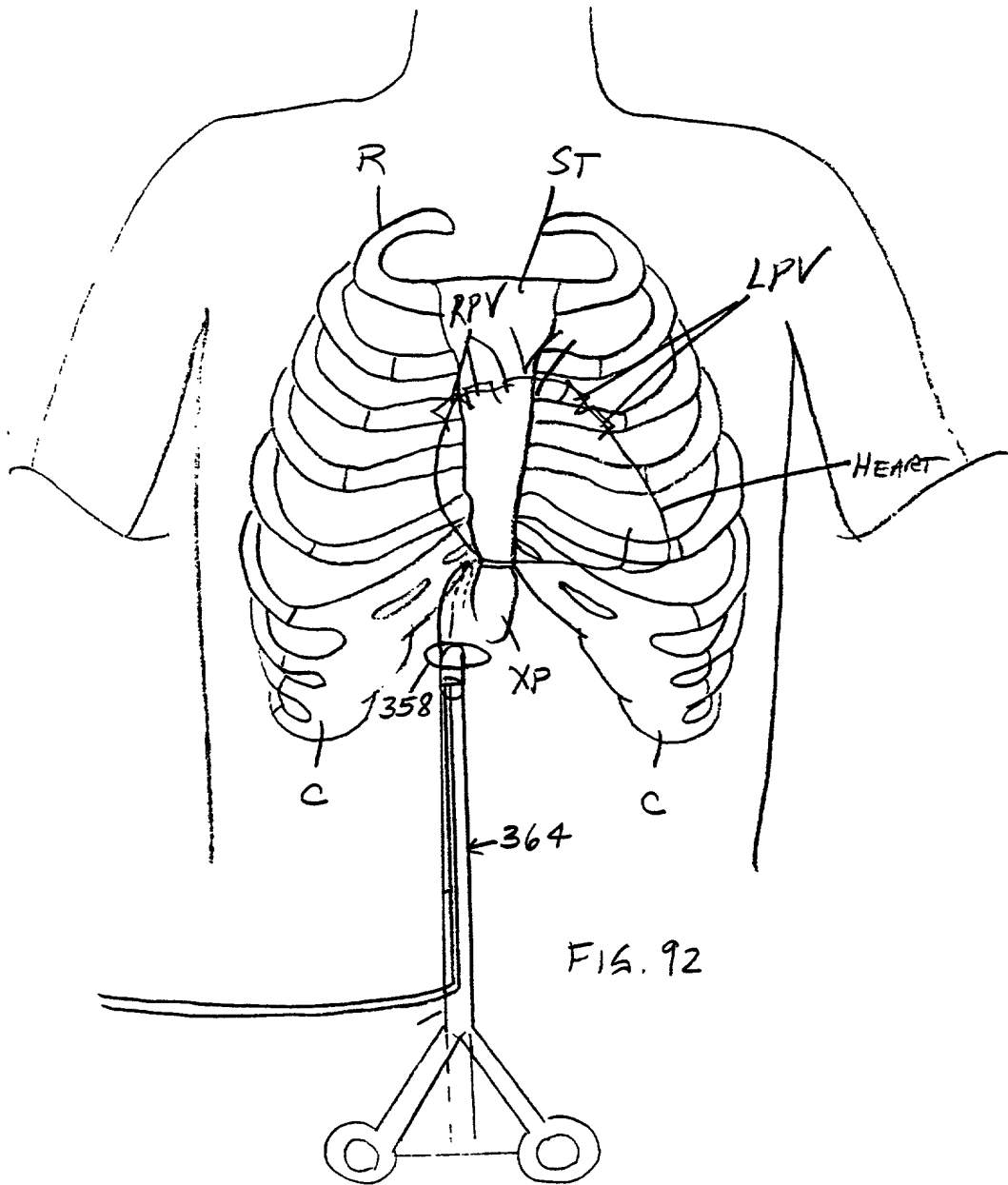


FIG. 92

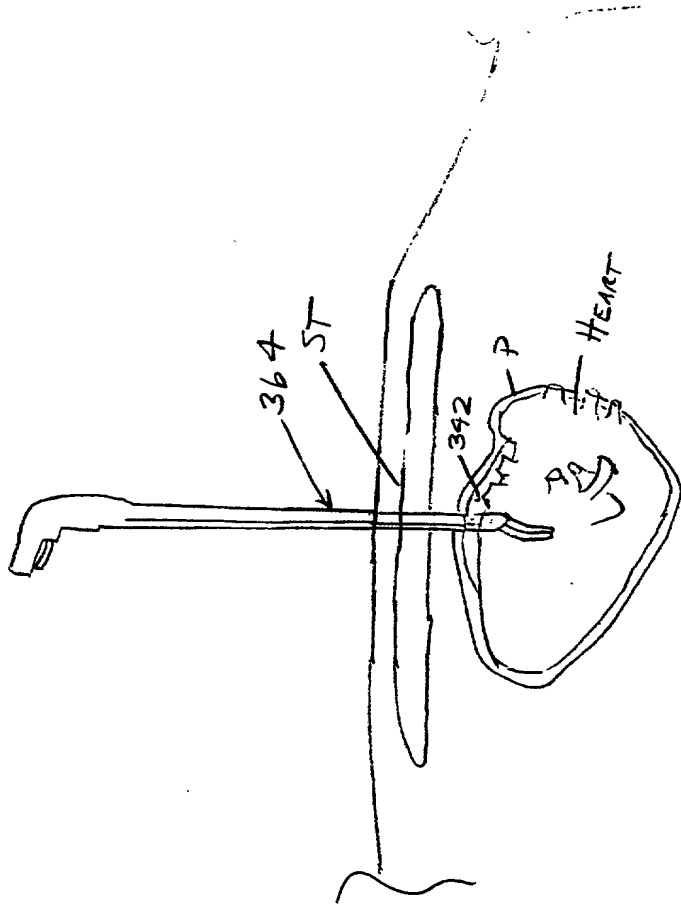


FIG. 95

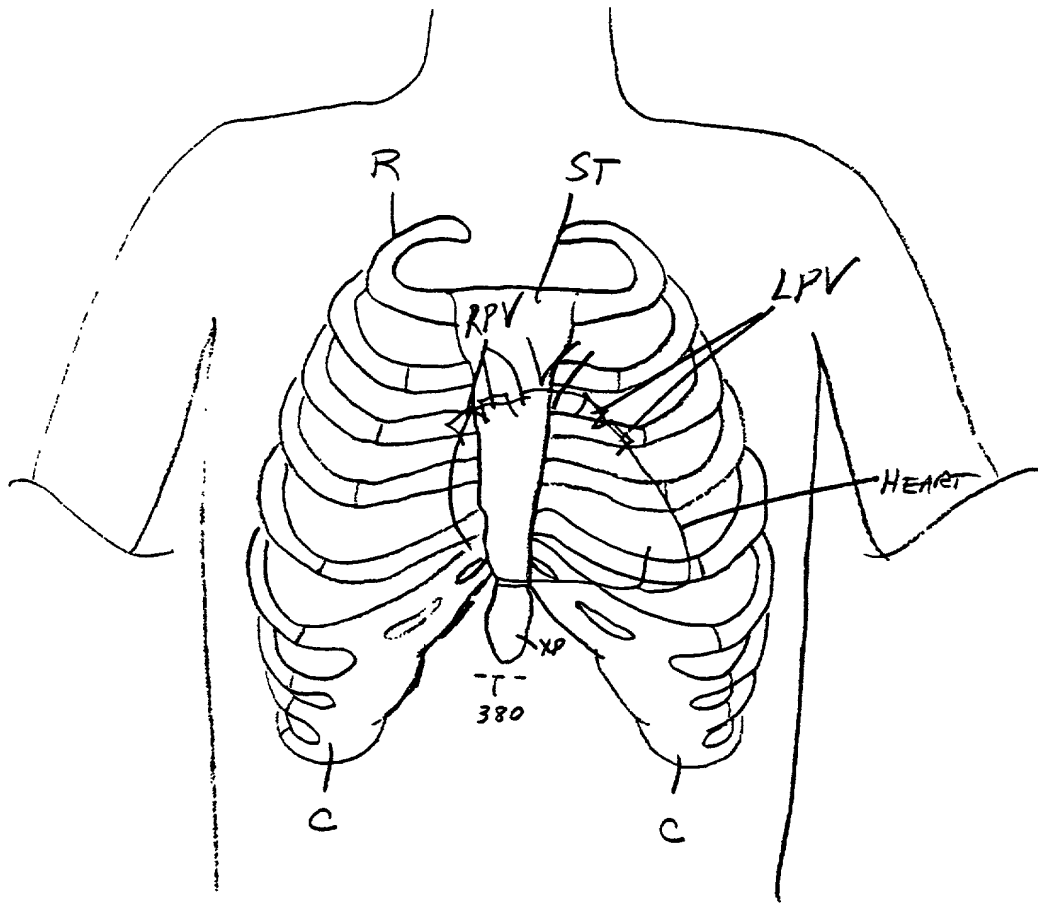


FIG. 96

US 2002/0142467 A1

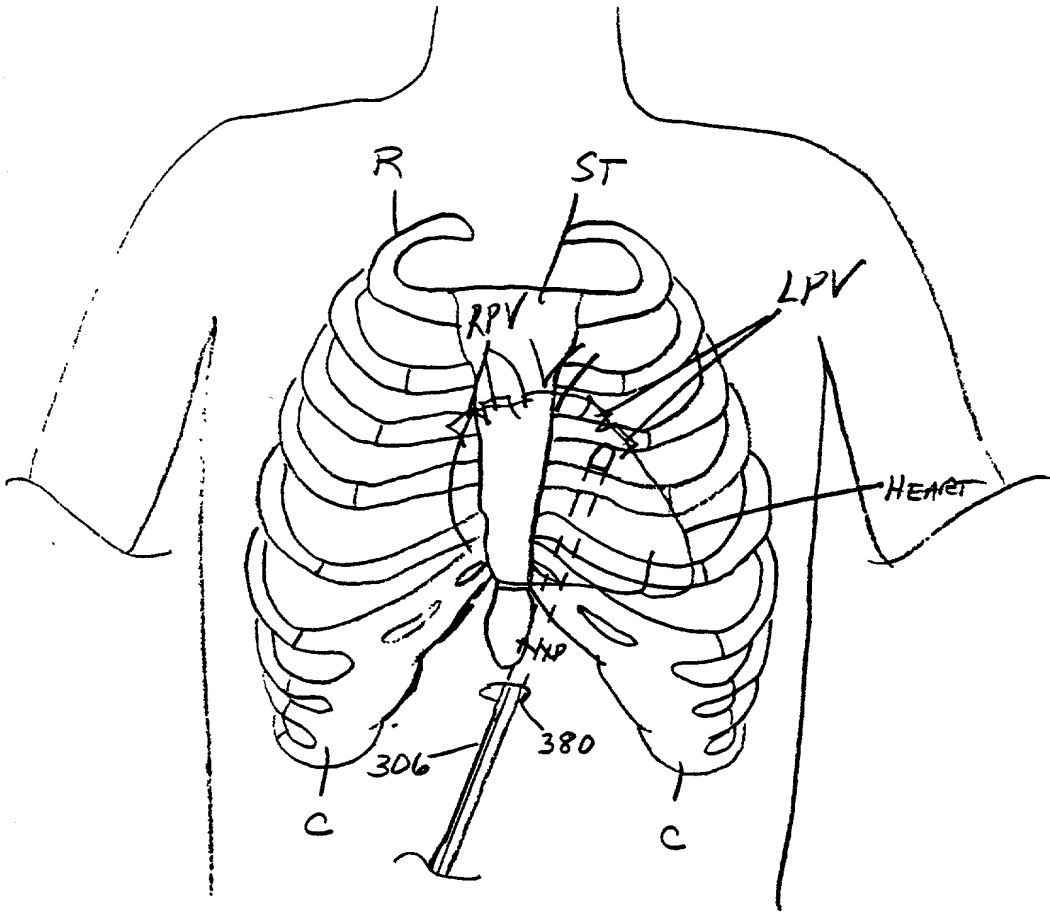


FIG. 97

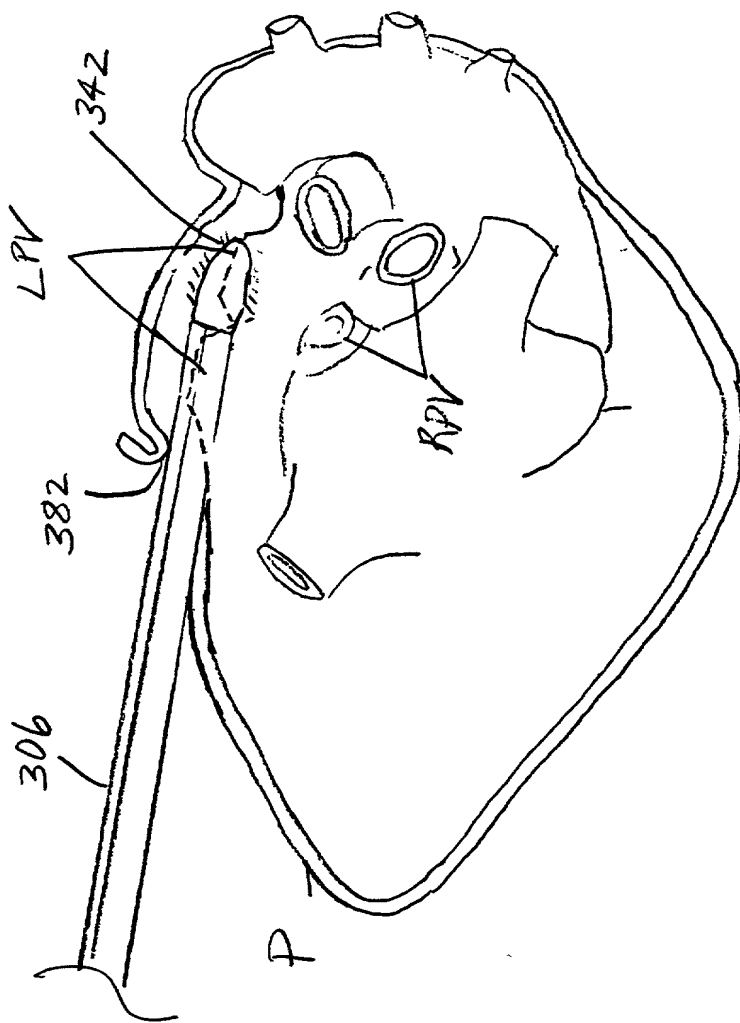


FIG. 98

2

www.eshoot

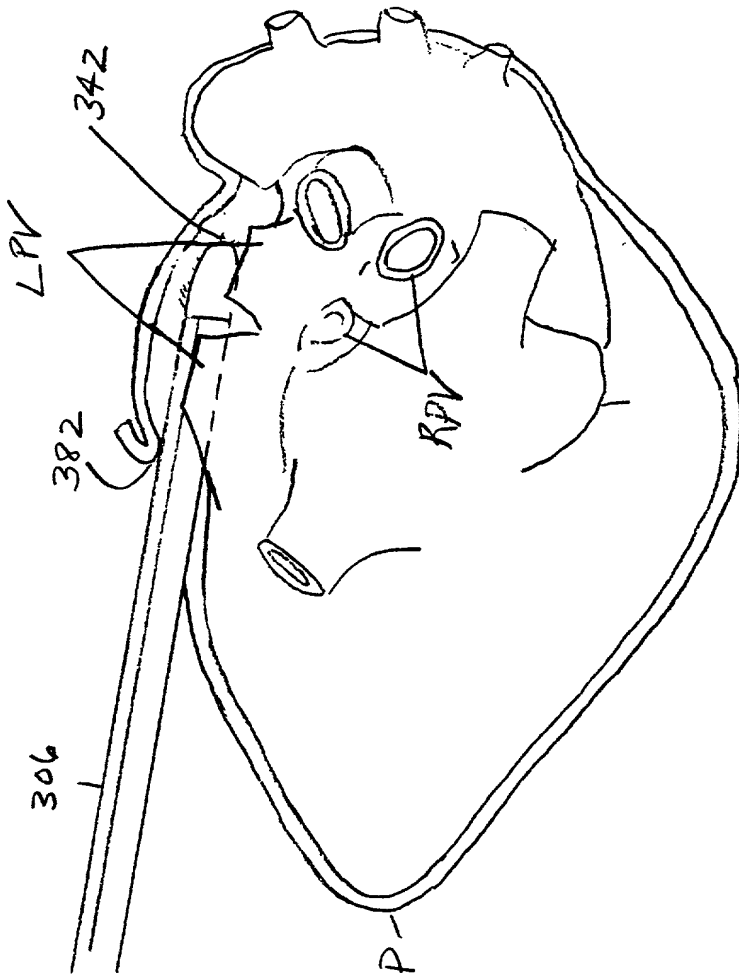


FIG. 99

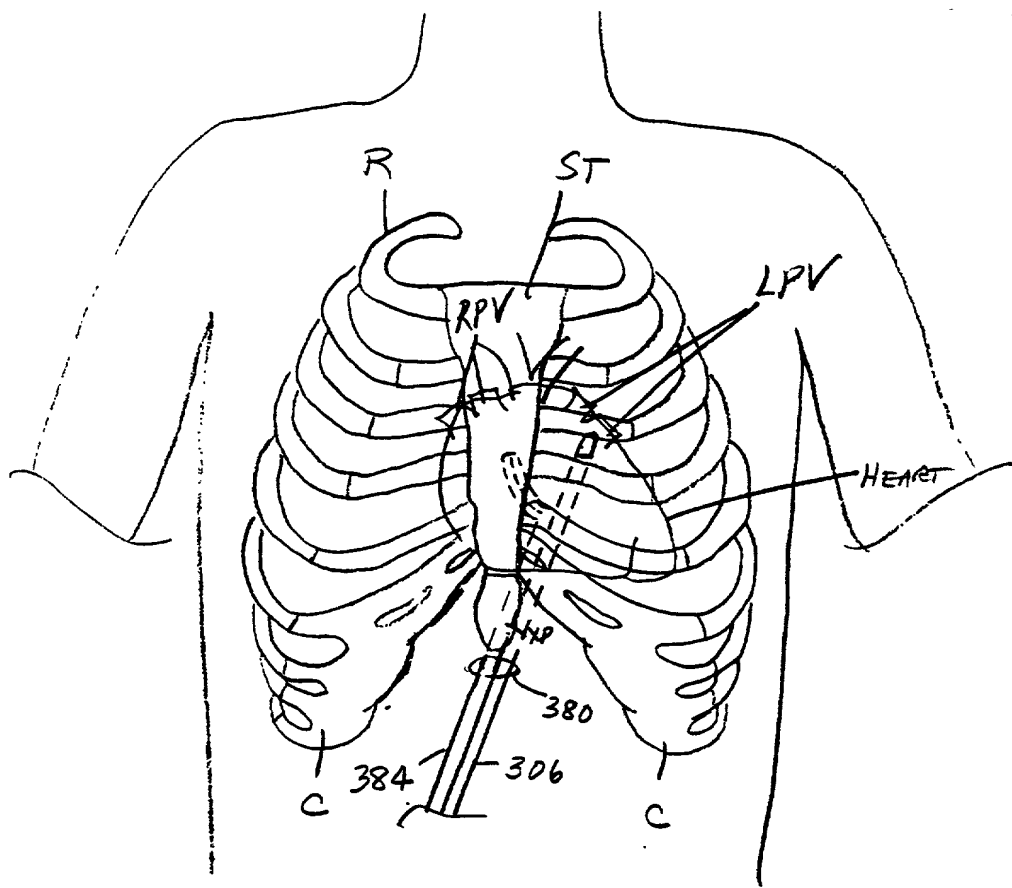


FIG. 100

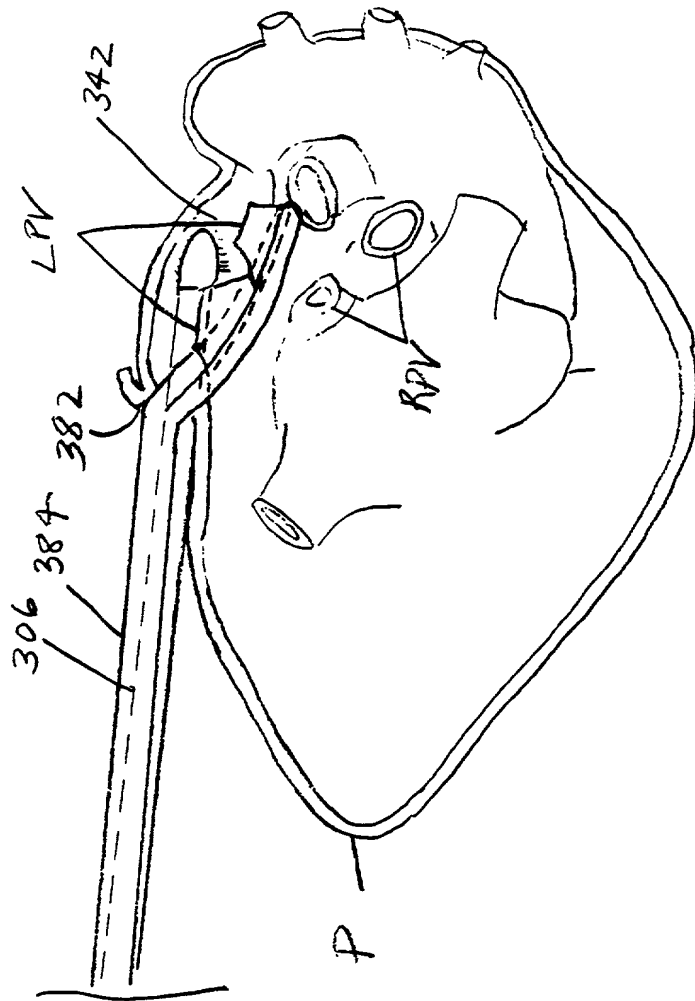


FIG. 101